

# Over The Range Microwave Oven Owner's Manual

*JMV8196AA/JMV8196AC*

**Installer:** Please leave this manual with this appliance.

**Consumer:** Please read and keep this manual for future reference. Keep sales receipt and/or cancelled check as proof of purchase.

Model Number

Serial Number

Date of Purchase

In our continuing effort to improve the quality and performance of our appliances, it may be necessary to make changes to the appliance without revising this guide.

If you have questions, write us (include your model number and phone number) or call:

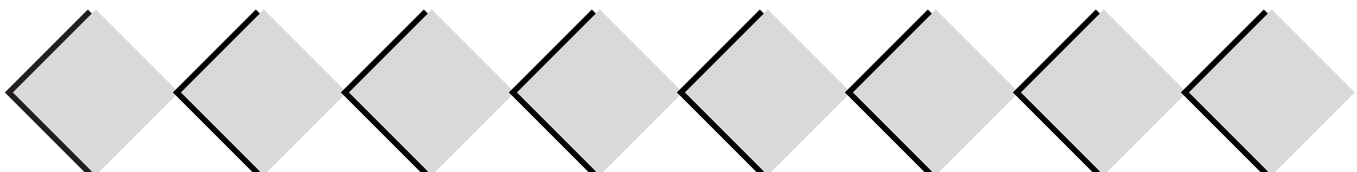
Maytag Appliances Sales Company  
Attn: CAIR® Center  
P.O. Box 2370  
Cleveland, TN 37320-2370  
1-800-688-1100 U.S.A. and Canada  
(Mon.-Fri., 8 am-8 pm Eastern Time)  
Internet: <http://www.jennair.com>

## Contents

Important Safety Instructions .....	2-4
Features .....	5-6
Operation .....	7-17
Cooking .....	18-22
Maintenance.....	23-24
Recommended Utensils .....	25
Trouble Shooting .....	26
Questions and Answers .....	27
Warranty .....	28
Guide de l'utilisateur.....	29
Guía del Usuario .....	57

## Electric Microwave

**Keep instructions for future reference.  
Be sure manual stays with oven.**



# IMPORTANT SAFETY INSTRUCTIONS

## What You Need to Know About Safety Instructions

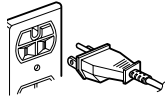
Warning and Important Safety Instructions appearing in this manual are not meant to cover all possible conditions and situations that may occur. Common sense, caution, and care must be exercised when installing, maintaining, or operating microwave.

Always contact your dealer, distributor, service agent, or manufacturer about problems or conditions you do not understand.

### WARNING

To avoid risk of electrical shock or death, this oven must be grounded and plug must not be altered.

## Grounding Instructions



**Oven MUST be grounded.** Grounding reduces risk of electric shock by providing an es-

## Recognize Safety Symbols, Words, Labels

### DANGER

**DANGER**— Immediate hazards which WILL result in severe personal injury or death.

### WARNING

**WARNING**— Hazards or unsafe practices which COULD result in severe personal injury or death.

### CAUTION

**CAUTION**— Hazards or unsafe practices which COULD result in minor personal injury.

cape wire for the electric current if an electrical short occurs. This oven is equipped with a cord having a grounding wire with a grounding plug. The plug must be plugged into an outlet that is properly installed and grounded.

Consult a qualified electrician or servicer if grounding instructions are not completely understood, or if doubt exists as to whether the oven is properly grounded.

**Do not use an extension cord.** If the product power cord is too short, have a qualified electrician install a three-slot receptacle. This oven should be plugged into a separate 60 hertz circuit with the electrical rating as shown in specifications table. When the combination oven is on a circuit with other equipment, an increase in cooking times may be required and fuses can be blown.

Microwave operates on standard household current, 110-120V.

## FEDERAL COMMUNICATIONS COMMISSION RADIO FREQUENCY INTERFERENCE STATEMENT ( U.S.A. ONLY)

This equipment generates and uses ISM frequency energy and if not installed and used properly, that is in strict accordance with the manufacturer's instructions, may cause interference to radio and television reception. It has been type tested and found to comply with limits for ISM Equipment pursuant to part 18 of FCC Rules, which are designed to provide reasonable protection against such interference in a residential installation.

However, there is no guarantee that interference will not occur in a particular installation. If this equipment does cause interference to radio or television reception, which can be determined by turning the equipment off and on, the user is encouraged to try to correct the interference by one or more of the following:

- Reorient the receiving antenna of the radio or television.
- Relocate the microwave oven with respect to the receiver.
- Move the microwave oven away from the receiver.
- Plug the microwave oven into a different outlet so that the microwave oven and the receiver are on different branch circuits.

**The manufacturer** is not responsible for any radio or TV interference caused by **unauthorized modification** to this microwave oven. It is the responsibility of the user to correct such interference.

## SAVE THESE INSTRUCTIONS

# IMPORTANT SAFETY INSTRUCTIONS

## CAUTION

When using electrical appliances, basic safety precautions should be followed to reduce the risk of burns, electric shock, fire, or injury to persons or exposure to excessive microwave energy.

1. READ all instructions before using oven.
2. READ AND FOLLOW the specific "PRECAUTIONS TO AVOID POSSIBLE EXPOSURE TO EXCESSIVE MICROWAVE ENERGY" on this page.
3. This oven **MUST BE GROUNDED**. Connect only to properly GROUNDED outlet. See installation instructions.
4. Install or locate this oven **ONLY** in accordance with the installation instructions in this manual.
5. Some products such as whole eggs and sealed containers—for example, closed glass jars—are able to explode and **SHOULD NOT** be **HEATED** in this oven.
6. Use this oven **ONLY** for its intended use as described in this manual. Do not use corrosive chemicals or vapors in this oven. This type of oven is specifically designed to heat, cook, or dry food. It is not designed for industrial or laboratory use.
7. As with any appliance, **CLOSE SUPERVISION** is necessary when used by **CHILDREN** or **INFIRM PERSONS**.
8. See door cleaning instructions in the Care and Cleaning section of manual on page 23.
9. Baby food jars shall be open when heated and contents stirred or shaken before consumption, in order to avoid burns.
10. **DO NOT** use this oven for commercial purposes. It is made for household use only.
11. **DO NOT** heat baby bottles in oven.
12. **DO NOT** operate this oven if it has a damaged cord or plug, if it is not working properly, or if it has been damaged or dropped.
13. This oven, including power cord, must be serviced **ONLY** by qualified service personnel. Special tools are required to service oven. Contact nearest authorized service facility for examination, repair, or adjustment.
14. **DO NOT** cover or block filter or other openings on oven.
15. **DO NOT** store this oven outdoors. **DO NOT** use this product near water – for example, near a kitchen sink, in a wet basement, near a swimming pool or similar locations.
16. **DO NOT** immerse cord or plug in water.
17. Keep cord **AWAY** from **HEATED** surfaces.
18. **DO NOT** let cord hang over edge of table or counter.
19. Clean the ventilating hood frequently.
20. Do not allow grease to accumulate on the hood or filters.
21. Use care when cleaning the ventilating hood filters. Corrosive cleaning agents such as lye-based oven cleaners may damage the filters.
22. When flaming foods under the hood, turn the fan on.
23. Suitable for use above both gas and electric cooking equipment 36 inches or less wide.

## PRECAUTIONS TO AVOID POSSIBLE EXPOSURE TO EXCESSIVE MICROWAVE ENERGY

- A. **DO NOT** attempt to operate this oven with the door open since open door operation can result in harmful exposure to microwave energy. It is important not to defeat or tamper with the safety interlocks.
- B. **DO NOT** place any object between the oven front face and the door to allow soil or cleaner residue to accumulate on sealing surfaces.
- C. **DO NOT** operate the oven if it is damaged. It is particularly important that oven door close properly and that there is no damage to:
  1. door (bent),
  2. hinges and latches (broken or loosened),
  3. door seals and sealing surfaces.
- D. Oven should not be adjusted or repaired by anyone except properly qualified service personnel.

**SAVE THESE INSTRUCTIONS**

# IMPORTANT SAFETY INSTRUCTIONS

## Recognize this symbol as a SAFETY message

### WARNING

To avoid risk of fire in the oven cavity:

- a. **DO NOT** overcook food. Carefully attend oven when paper, plastic, or other combustible materials are placed inside the oven to facilitate cooking.
- b. Remove wire twist-ties from paper or plastic bags before placing bag in oven.
- c. If materials inside the oven ignite, keep oven door **CLOSED**, turn oven off and disconnect the power cord, or shut off power at the fuse or circuit breaker panel.
- d. **DO NOT** use the cavity for storage. **DO NOT** leave paper products, cooking utensils, or food in the cavity when not in use.

### WARNING

Liquids such as water, coffee, or tea are able to be overheated beyond the boiling point without appearing to be boiling due to surface tension of the liquid. Visible bubbling or boiling when the container is removed from the microwave oven is not always present. **THIS COULD RESULT IN VERY HOT LIQUIDS SUDDENLY BOILING OVER WHEN A SPOON OR OTHER UTENSIL IS INSERTED INTO THE LIQUID.** To reduce the risk of injury to persons:

1. Do not overheat the liquid.
2. Stir the liquid both before and halfway through heating it.
3. Do not use straight-sided containers with narrow necks.
4. After heating, allow the container to stand in the microwave oven for a short time before removing the container.
5. Use extreme care when inserting a spoon or other utensil into the container.

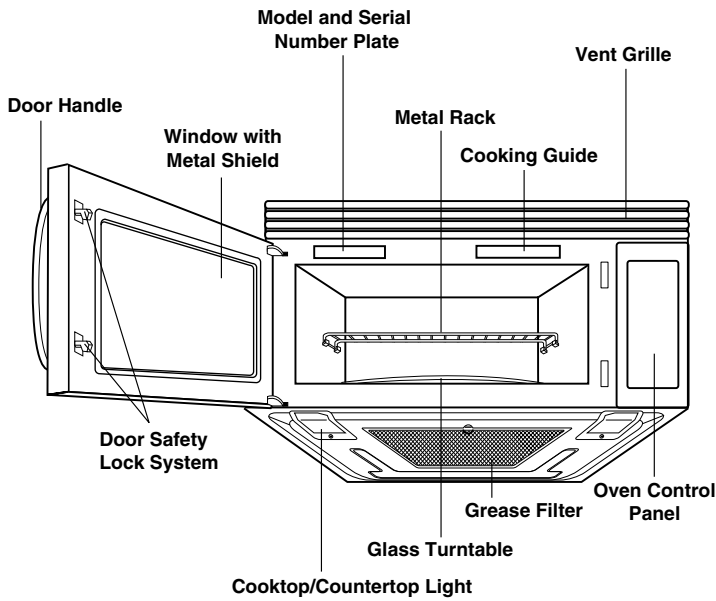
### CAUTION

To avoid personal injury or property damage, observe the following:

1. Do not deep fat fry in oven. Fat could overheat and be hazardous to handle.
2. Do not cook or reheat eggs in shell or with an unbroken yolk using microwave energy. Pressure may build up and erupt. Pierce yolk with fork or knife before cooking.
3. Pierce skin of potatoes, tomatoes, and similar foods before cooking with microwave energy. When skin is pierced, steam escapes evenly.
4. Do not operate oven without load or food in oven cavity.
5. Use only popcorn in packages designed and labeled for microwave use. Popping time varies depending on oven wattage. Do not continue to heat after popping has stopped. Popcorn will scorch or burn. Do not leave oven unattended.
6. Do not use regular cooking thermometers in oven. Most cooking thermometers contain mercury and may cause an electrical arc, malfunction, or damage to oven.
7. Do not use metal utensils in oven.
8. Never use paper, plastic, or other combustible materials that are not intended for cooking.
9. When cooking with paper, plastic, or other combustible materials, follow manufacturer's recommendations on product use.
10. Do not use paper towels which contain nylon or other synthetic fibers. Heated synthetics could melt and cause paper to ignite.
11. Do not heat sealed containers or plastic bags in oven. Food or liquid could expand quickly and cause container or bag to break. Pierce or open container or bag before cooking.
12. To avoid pacemaker malfunction, consult physician or pacemaker manufacturer about effects of microwave energy on pacemaker.

## SAVE THESE INSTRUCTIONS

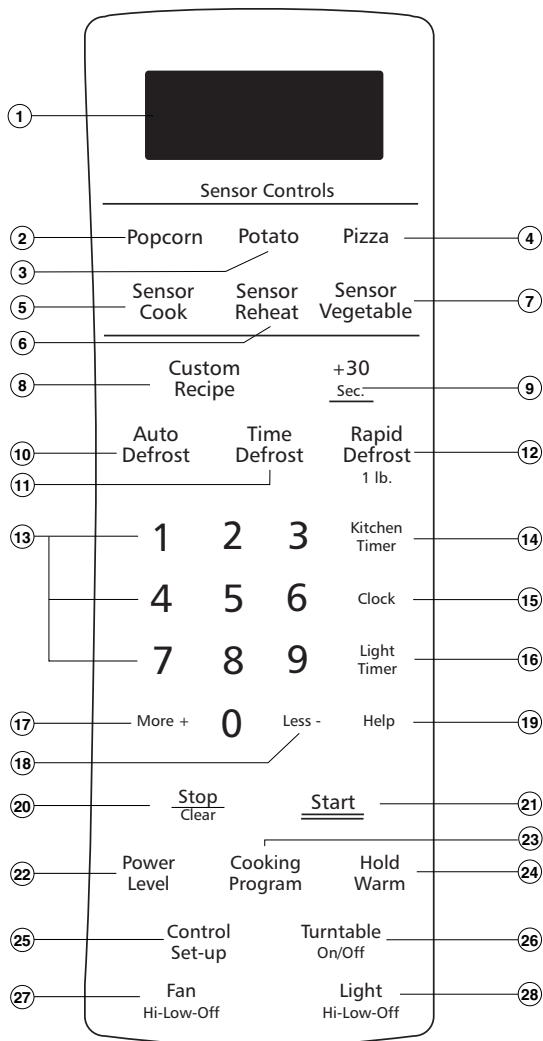
# Features



## OVEN SPECIFICATIONS

Power Supply	120 VAC, 60 Hz
Input Power	1,500 W
Cooking Power	1,000 W (IEC 60705 Standard)
Frequency	2,450 MHz
Rated Current	13 A
Outer Dimensions (WxHxD)	29 <sup>15</sup> / <sub>16</sub> " x 16 <sup>7</sup> / <sub>16</sub> " x 15 <sup>5</sup> / <sub>8</sub> "
Cavity Volume	1.9 Cu. Ft.
Net Weight	60 lbs.

## JMV8196AA/AC



## JMV8196AAS/ACS



# Features (cont'd)

---

## FEATURES

**NOTE:** Styling and features vary by model.

1. **DISPLAY:** The Display includes a clock and indicators to tell you time of day, cooking time settings and cooking functions selected.
2. **POPCORN:** Touch this pad when popping popcorn in your microwave oven. The oven's sensor will tell the oven how long to cook depending on the amount of humidity it detects from the popcorn. See page 11 for more information.
3. **POTATO:** Touch this pad to cook potatoes. The oven's sensor will tell the oven how long to cook depending on the amount of humidity it detects from the potato. See page 12 for more information.
4. **PIZZA:** Touch this pad to reheat pizza. The oven's sensor will tell the oven how long to cook depending on the amount of humidity it detects. See page 11 for more information.
5. **SENSOR COOK:** Touch this pad to cook frozen entree, casserole, and rice. The oven's sensor will tell the oven how long to cook depending on the amount of humidity coming from the food. See page 12 for more information.
6. **SENSOR REHEAT:** Touch this pad to reheat casserole, dinner plate, and soup/sauce. The oven's sensor will tell the oven how long to cook depending on the amount of humidity coming from the food. See page 13 for more information.
7. **SENSOR VEGETABLE:** Touch this pad to cook vegetables. The oven's sensor will tell the oven how long to cook depending on the amount of humidity it detects from the vegetables. See page 12 for more information.
8. **CUSTOM RECIPE:** Touch this pad to recall one cooking instruction previously programmed into memory. See page 9 for more information.
9. **+ 30 SEC.:** Touch this pad to set and start quickly at 100% power level. See page 8 for more information.
10. **AUTO DEFROST:** Meat, poultry, fish. Touch this pad to select food type and defrost food by weight. See page 13 for more information.
11. **TIME DEFROST:** Touch this pad to defrost most other frozen foods. See page 17 for more information.
12. **RAPID DEFROST 1lb.:** This pad provides RAPID defrost for 1.0 pound of frozen food. See page 17 for more information.
13. **NUMBER:** Touch number pads to enter cooking time, power level, quantities, or weights.
14. **KITCHEN TIMER:** Touch this pad to set the kitchen timer. See page 7 for more information.
15. **CLOCK:** Touch this pad to enter the time of day. See page 7 for more information.
16. **LIGHT TIMER:** Touch this pad to set the light timer. See page 8 for more information.
17. **MORE:** Touch this pad to add ten seconds of cooking time each time you press it. See page 9 for more information.
18. **LESS:** Touch this pad to subtract ten seconds of cooking time each time you press it. See page 9 for more information.
19. **HELP:** Touch this pad to learn how to use each oven function. See page 7 for more information.
20. **STOP/CLEAR:** Touch this pad to stop the oven or to clear all entries.
21. **START:** Touch this pad to start a function. If you open the door after oven begins to cook, touch START again.
22. **POWER LEVEL:** Touch this pad to select a cooking power level.
23. **COOKING PROGRAM:** Touch this pad to set a cooking time.
24. **HOLD WARM:** Touch this pad to keep hot, cooked foods warm in your microwave oven for up to 99 minutes 99 seconds. See page 8 for more information.
25. **CONTROL SET-UP:** Touch this pad to change the oven's default settings for sound, clock, display speed and defrost weight. See page 7 for more information.
26. **TURNTABLE ON/OFF:** Touch this pad to turn off the turntable. OFF will appear in the display. See page 7 for more information.  
**NOTE:** This option not available in sensor cook and defrost modes.
27. **FAN HI-LOW-OFF:** Touch this pad to turn the fan on or off. See page 7 for more information.
28. **LIGHT HI-LOW-OFF:** Touch this pad to turn on the cooktop/countertop light. See page 8 for more information.

## LEARN ABOUT YOUR MICROWAVE OVEN

This section discusses the concepts behind microwave cooking and introduces you to the basics you need to know to operate your microwave oven. Please read this information before use.

### CAUTION

- > To avoid risk of personal injury or property damage, do not run oven empty.
- > To avoid risk of personal injury or property damage, do not use stoneware, aluminum foil, metal utensils, or metal trimmed utensils in the oven.

## HELP

The HELP pad displays feature information and helpful hints. Press HELP, then select a key pad.

**Example: To learn about POPCORN.**

- Help Popcorn
1. Touch **HELP** pad.
  2. Touch **POPCORN** pad.

## CLOCK

This oven includes a 24-hour clock.

**Example: To set 8:00 AM.**

- Clock 8 0 0 Clock
1. Touch **CLOCK** pad. (Press once for AM, twice for PM)
  2. Enter the time by using the number key pad.
  3. Touch **CLOCK** (or **START**) pad.

## KITCHEN TIMER

You can use your microwave oven as a timer. Use the Timer for timing up to 99 minutes, 99 seconds.

**Example: To time 3 minutes.**

- Kitchen Timer 3 0 0
1. Touch **KITCHEN TIMER** pad.
  2. Enter the time by using the number key pad.
  3. Touch **START** pad. When the time is over, you will hear seven beeps and **END** will display.

## CONTROL SET-UP

You can change the default values for beep sound, clock, display speed and defrost weight.

See following chart for more information.

No.	Function	No.	Result
1	Beep ON/OFF control	1	Sound ON
		2	Sound OFF
2	Clock display control	1	Clock ON
		2	Clock OFF
3	Display	1	Slow speed
		2	Normal speed
		3	Fast speed
4	Defrost weight mode selected	1	Lbs.
		2	Kg.

**Example: To change defrost weight mode (from Lbs. to Kg).**

- Control Set-up 4 2
1. Touch **CONTROL SET-UP** pad.
  2. Touch number **4** pad.
  3. Touch number **2** pad.

## FAN HI-LOW-OFF

Fan Hi-Low-Off The FAN moves steam and other vapors from the cooking surface. Touch FAN pad once for High fan speed, twice for Low fan speed, or three times to turn the fan off.

**NOTE:** If the temperature gets too hot around the microwave oven, the fan in the vent hood will automatically turn on at the LOW setting to cool the oven. It may stay on up to an hour. When this occurs, **you cannot turn the fan off.**

## TURNTABLE ON/OFF

For best cooking results, leave the Turntable On/Off turntable on. It can be turned off for large dishes.

Touch TURNTABLE ON/OFF to turn the turntable on or off.

**NOTE:**

- This option is not available in sensor cook and defrost modes.
- **Sometimes the turntable can become hot to touch.** Be careful touching the turntable during and after cooking.
- **Do not run the oven empty.**

# Operation (cont'd)

## CHILD LOCK

You may lock the control panel to prevent the microwave from being accidentally started or used by children.

The Child Lock feature is also useful when cleaning the control panel. Child Lock prevents accidental programming when wiping the control panel.

**Example: To set the child lock.**

Stop  
Clear

0

1. Touch **STOP/CLEAR** pad.
2. Touch and hold **0** pad more than 4 seconds. **LOCKED** will appear in the display window with two beeps.

**Example: To cancel the child lock.**

0

1. Touch and hold **0** pad more than 4 seconds. **LOCKED** will disappear and you hear two beeps.

## LIGHT HI-LOW-OFF

Touch **LIGHT** pad once for bright light, twice for Hi-Low-Off night light, or three times to turn the light off.

## LIGHT TIMER

You can set the **LIGHT** to turn on and off automatically at any time. The light comes on at the same time every day until reset.

**Example: Turn on 2:00 AM, turn off 7:00 AM.**

Light  
Timer

1. Touch **LIGHT TIMER** pad. (Press once for AM, twice for PM.)

2 0 0

Light  
Timer

7 0 0

Start

2. Enter the time you want the **LIGHT** to turn on.
3. Touch **LIGHT TIMER** pad again. (Press once for AM, twice for PM.)
4. Enter the time you want the **LIGHT** to turn off.
5. Touch **START** pad.

### NOTE:

- To reset the time to turn on and off the **LIGHT**, repeat steps 1 to 5.

**Example: To cancel the LIGHT TIMER.**

Light  
Timer

Stop  
Clear

1. Touch **LIGHT TIMER** pad.
  2. Touch **STOP/CLEAR** pad.
- NOTE:**
- If you want to cancel the **LIGHT TIMER** in operation, touch **Light** pad.
- Hi-Low-Off

## + 30 SEC.

A time-saving pad, this simplified control lets you quickly set and start microwave cooking without the need to touch the **START** pad.

**Example: To set + 30 SEC. for 2 minutes.**

+30  
Sec.

1. Touch **+ 30 SEC.** pad 4 times. The oven begins cooking and display shows time counting down.

### NOTE:

- If you touch **+ 30 SEC.**, it will add 30 seconds up to 3 minutes. After 3 minutes, every touch will add 1 minute up to 99 minutes 59 seconds.

## HOLD WARM

You can keep cooked food warm in your microwave oven for up to 99 minutes 99 seconds. You can use **HOLD WARM** by itself or to follow a cooking cycle automatically.

**Example: To use HOLD WARM.**

Hold  
Warm

Start

1. Touch **HOLD WARM** pad.
2. Touch **START** pad.

### NOTES:

- **HOLD WARM** operates for up to 99 minutes 99 seconds.
- **Food cooked covered** should be covered during **HOLD WARM**.
- **Pastry items** (pies, turnovers, etc.) should be uncovered during **HOLD WARM**.
- **Complete meals** kept warm on a dinner plate can be covered during **HOLD WARM**.

Food Type	Recommended Quantity
Liquid	1-2 cups
Dry	5-10 ozs.

**To make HOLD WARM automatically follow another cycle:**

- While you are programming the cooking instructions, touch **HOLD WARM** before touching **START**.
- When the last cooking cycle is over, you will hear two tones and "WARM" will appear in the oven display.
- You can set **HOLD WARM** to follow **AUTO DEFROST**, or multi-cycle cooking.



## CUSTOM RECIPE

CUSTOM RECIPE lets you recall one cooking instruction previously placed in memory and begin cooking quickly.

**Example: To cook for 2 minutes.**

- Custom Recipe
- 2 0 0
- Start
1. Touch **CUSTOM-RECIPE** pad.
  2. Enter the cook time.
  3. Touch **START** pad.

**Example: To recall the custom recipe.**

- Custom Recipe
- Start
1. Touch **CUSTOM RECIPE** pad.
  2. Touch **START** pad. When the cook time is over, you will hear four beeps and **END** will display.

## MORE/LESS

By using the MORE or LESS keys, all of the pre-programmed cook and time cook features can be adjusted to cook food for a longer or shorter time.

Pressing MORE will add 10 seconds of cooking time each time you press it. Pressing LESS will subtract 10 seconds of cooking time each time you press it.

## COOKING AT HIGH POWER

**Example: To cook food for 8 minutes 30 seconds at 100% power.**

- 8 3 0
- Start
1. Enter the cook time.
  2. Touch **START** pad. When the cook time is over, you will hear four beeps and **END** will display.

## COOKING AT LOWER POWER LEVELS

HIGH power cooking does not always give you the best results with foods that need slower cooking, such as roasts, baked goods, or custards. Your oven has 10 power settings in addition to HIGH.

**Example: To cook food for 7 minutes 30 seconds at 70% power.**

- 7 3 0
- Power Level
- 7
- Start
1. Enter the cook time.
  2. Touch **POWER LEVEL** pad.
  3. Enter the power level.
  4. Touch **START** pad. When the cook time is over, you will hear four beeps and **END** will display.

See cooking guide for Power levels, page 10.

## COOKING WITH MORE THAN ONE COOK CYCLE

For best results, some recipes call for one Power Level for a certain length of time, and another Power Level for another length of time. Your oven can be set to change from one to another automatically, for up to three cycles if the first heating cycle is defrost or the last at 0% power.

**Example: To cook food for 3 minutes at 100% power and then 70% power for 7 minutes 30 seconds.**

- 3 0 0
- Cooking Program
- 7 3 0
- Power Level
- 7
- Start
1. Enter the cook time.
  2. Touch **COOKING PROGRAM** pad.
  3. Enter the second cook time.
  4. Touch **POWER LEVEL** pad.
  5. Enter the power level.
  6. Touch **START** pad. When the cook time is over, you will hear four beeps and **END** will display.

# Operation (cont'd)

---

## COOKING GUIDE FOR POWER LEVELS

The 10 power levels in addition to HIGH allow you to choose the best power level for the food you are cooking. Below are listed all the power levels, examples of foods best cooked at each level, and the amount of microwave power you are using.

POWER LEVEL	MICROWAVE OUTPUT	USE
10 High	100%	<ul style="list-style-type: none"><li>• Boil water.</li><li>• Cook ground beef.</li><li>• Make candy.</li><li>• Cook fresh fruits and vegetables.</li><li>• Cook fish and poultry.</li><li>• Preheat browning dish.</li><li>• Reheat beverages.</li><li>• Bacon slices.</li></ul>
9	90%	<ul style="list-style-type: none"><li>• Reheat meat slices quickly.</li><li>• Saute onions, celery, and green pepper.</li></ul>
8	80%	<ul style="list-style-type: none"><li>• All reheating.</li><li>• Cook scrambled eggs.</li></ul>
7	70%	<ul style="list-style-type: none"><li>• Cook breads and cereal products.</li><li>• Cook cheese dishes, veal.</li><li>• Cook cakes, muffins, brownies, cupcakes.</li></ul>
6	60%	<ul style="list-style-type: none"><li>• Cook pasta.</li></ul>
5	50%	<ul style="list-style-type: none"><li>• Cook meats, whole poultry.</li><li>• Cook custard.</li><li>• Cook whole chicken, turkey, spare ribs, rib roast, sirloin roast.</li></ul>
4	40%	<ul style="list-style-type: none"><li>• Cook less tender cuts of meat.</li><li>• Reheat frozen convenience foods.</li></ul>
3	30%	<ul style="list-style-type: none"><li>• Thawing meat, poultry, and seafood.</li><li>• Cooking small quantities of food.</li><li>• Finish cooking casserole, stew, and some sauces.</li></ul>
2	20%	<ul style="list-style-type: none"><li>• Soften butter and cream cheese.</li><li>• Heating small amounts of food.</li></ul>
1	10%	<ul style="list-style-type: none"><li>• Soften ice cream.</li><li>• Raise yeast dough.</li></ul>
0		<ul style="list-style-type: none"><li>• Standing time.</li></ul>

## SENSOR OPERATING INSTRUCTIONS

Sensor Cook allows you to cook most of your favorite foods without selecting cooking times and power levels. The display will indicate SENSING during the initial sensing period. The oven automatically determines required cooking time for each food item. When the internal sensor detects a certain amount of humidity coming from the food, it will tell the oven how much longer to heat. The display will show the remaining heating time. For best results for cooking by Sensor, follow these recommendations.

1. Food cooked with the sensor system should be at normal storage temperature.
2. Glass Tray (TURNTABLE) and outside of container should be dry to assure best cooking results.
3. Foods should always be covered loosely with microwavable plastic wrap, waxed paper, or a lid.
4. Do not open the door or touch the STOP/CLEAR pad during the sensing time. When sensing time is over, the oven beeps twice and the remaining cooking time will appear in the display window. At this time you can open the door to stir, turn, or rearrange the food.

## SENSOR COOKING GUIDE

Appropriate containers and coverings help assure good Sensor cooking results.

1. Always use microwavable containers and cover them with lids or vented plastic wrap.
2. Never use tight-sealing plastic covers. They can prevent steam from escaping and cause food to overcook.

3. Match the amount to the size of the container. Fill containers at least half full for best results.
4. Be sure the outside of the cooking container and the inside of the microwave oven are dry before placing food in the oven. Beads of moisture turning into steam can mislead the sensor.

## ADDING OR SUBTRACTING COOK TIME

If the SENSOR function is too long or too short, you can increase or decrease the cook time by 10% after choosing the function. You can only increase or decrease cook time when sensing is displayed.

**Example: If you want to adjust the Sensor Cook (casserole) cooking time for longer time.**

- |             |                                  |
|-------------|----------------------------------|
| Sensor Cook | 1. Touch <b>SENSOR COOK</b> pad. |
| 2           | 2. Choose food category.         |
| 9           | 3. Touch number <b>9</b> pad.    |

Cook Time	Touch Pad Number
Less	7
Normal	8
More	9

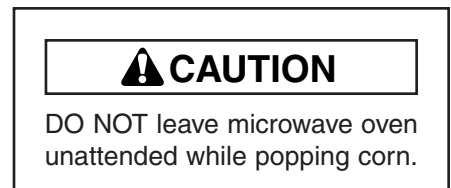
## POPCORN

POPCORN lets you pop 1.75, 3.0, and 3.5 ounce bags of commercially packaged microwave popcorn. Pop only one package at a time. If you are using a microwave popcorn popper, follow manufacturer's instructions.

**Example: To pop popcorn.**

- Popcorn
1. Touch **POPCORN** pad.  
When the cook time is over, you will hear four beeps and **END** will display.

- Recommended amounts: 1.75-3.5 ozs.



## PIZZA

PIZZA lets you reheat one or several slices of pizza without selecting cooking times and power levels.

**Example: To reheat 2 slices of pizza.**

- Pizza
1. Touch **PIZZA** pad.  
When the reheat time is over, you will hear four beeps and **END** will display.

- Recommended amounts: 1-3 slices (about 5 ozs. per each slice)

# Operation (cont'd)

## POTATO

POTATO lets you bake one or several potatoes without selecting cooking times and power levels.

**NOTE:**

- Before baking, pierce potato with fork several times.
- After baking, let stand for 5 minutes.

**Example: To cook 2 potatoes.**

**Potato** 1. Touch **POTATO** pad.  
When the cook time is over, you will hear four beeps and **END** will display.

- Recommended amounts: 1-4 potatoes (about 9-11 ozs. each)

## SENSOR VEGETABLE

SENSOR VEGETABLE has preset cook powers for 3 food categories: **Fresh, Frozen and Canned.**

**Example: To cook Frozen Vegetable.**

**Sensor Vegetable** 1. Touch **SENSOR VEGETABLE** pad.

**2** 2. Choose food category.

Category	Touch Pad Number
Fresh	1
Frozen	2
Canned	3

When the cook time is over, you will hear four beeps and **END** will display.

**NOTE:** Place canned vegetables in a microwavable bowl or casserole. Cover with plastic wrap and vent. Let stand 5 minutes.

- Recommended amounts: 1-4 cups
- Recommend 1/4"-1/2" venting of cover.

## SENSOR COOK

Using SENSOR COOK lets you heat common microwave-prepared foods without needing to program times and Cook Powers. SENSOR COOK has preset Cook Power for 3 food categories: **Frozen Entree, Casserole and Rice.**

**Sensor Cook** 1. Touch **SENSOR COOK** pad.

**3** 2. Choose food category.

Category	Touch Pad Number
Frozen Entree	1
Casserole	2
Rice	3

When the cook time is over, you will hear four beeps and **END** will display.

- Recommended amounts:

Frozen Entree	10-21 ozs.
Casserole	1-4 cups
Rice	1/2-2 cups

**NOTE:** Use only long grain rice with sensor cook program. See page 22 to cook other types of rice.

## SENSOR REHEAT

SENSOR REHEAT lets you heat foods without needing to program times and cook powers.

SENSOR REHEAT has preset Cook Powers for 3 categories: **Casserole, Dinner Plate and Soup/Sauce.**

**Example: To reheat Casserole.**

### Sensor Reheat

1. Touch **SENSOR-REHEAT** pad.
2. Choose food category.

Category	Touch Pad Number
Casserole	1
Dinner Plate	2
Soup/Sauce	3

When the cook time is over, you will hear four beeps and **END** will display.

- Recommended amounts:

Casserole	1-4 cups
Dinner Plate	1-2 servings
Soup/Sauce	1-4 cups

## AUTO DEFROST

Your microwave oven is preset with three defrost sequences. Using AUTO DEFROST is the best way to defrost frozen foods. The Auto Defrost Sequence Table below provides some basic guidelines for using the three defrost sequences.

See guidelines for Auto Defrost, page 15-16.

**Example: To defrost 1.2 lbs. of ground beef.**

### Auto Defrost

1. Touch **AUTO DEFROST** pad.
2. Choose food category.

Category	Touch Pad Number
Meat	1
Poultry	2
Fish	3

1 2

### Start

3. Enter the weight.
4. Touch **START** pad.

**NOTE:** When you touch the **START** pad the display changes to defrost time count down. The oven will beep during the DEFROST cycle. At beep, open the door and turn food over, separate or rearrange the food. Remove any portions that have thawed. The oven will not STOP during the beep unless the door is opened.

### Start

5. Close the door and restart.

When the defrost time is over, you will hear four beeps and **END** will display.

**NOTE:** If you do not open the door, the display will resume the count down.

# Operation (cont'd)

---

## WEIGHT CONVERSION CHART

To enter food weight in AUTO DEFROST, you must specify pounds and tenths of a pound. If the weight on the food package is in fractions of a pound, you can use the following chart to convert the weight to decimals.

Equivalent Ounce Weight	Tenths of a Pound
1.6	.10
3.2	.20
4.0	.25 One-Quarter Pound
4.8	.30
6.4	.40
8.0	.50 One-Half Pound
9.6	.60
11.2	.70
12.0	.75 Three-Quarter Pound
12.8	.80
14.4	.90
16.0	1.00 One Pound

## DEFROSTING TIPS

- When using AUTO DEFROST, the weight to be entered is the net weight in pounds and tenths of pounds (the weight of the food minus the container).
- Use AUTO DEFROST only for raw food. AUTO DEFROST gives best results when food to be thawed is a minimum of 0° F (taken directly from a true freezer). If food has been stored in a refrigerator-freezer that does not maintain a temperature of 5° F or below, always program a lower food weight (for a shorter defrosting time) to prevent cooking the food.
- If the food is stored outside the freezer for up to 20 minutes, enter a lower food weight.
- The shape of the package alters the defrosting time. Shallow rectangular packets defrost more quickly than a deep block.
- Separate pieces as they begin to defrost. Separated pieces defrost more easily.
- You can use small pieces of aluminum foil to shield foods like chicken wings, leg tips, and fish tails, but the foil must not touch the side of the oven. Foil causes arcing, which can damage the oven lining.
- Shield areas of food with small pieces of foil if they start to become warm.
- For better results, a preset standing time is included in the defrosting time.
- For best results, elevate food to be defrosted on a microwave safe roasting rack. This prevents the possibility of warm meat juices cooking food during defrost.

## AUTO DEFROST CHART

### Meat Setting

FOOD	SETTING	AT BEEP	SPECIAL INSTRUCTIONS
<b>BEEF</b>			Meat of irregular shape and large, fatty cuts of meat should have the narrow or fatty areas shielded with foil at the beginning of a defrost sequence.
Ground Beef, Bulk	MEAT	Remove thawed portions with fork. Turn over. Return remainder to oven.	Do not defrost less than 1/4 lb. Freeze in doughnut shape.
Ground Beef, Patties	MEAT	Separate and rearrange.	Do not defrost less than two oz. patties. Depress center when freezing.
Round Steak	MEAT	Turn over. Cover warm areas with aluminum foil.	Place on a microwavable roasting rack.
Tenderloin Steak	MEAT	Turn over. Cover warm areas with aluminum foil.	Place on a microwavable roasting rack.
Stew Beef	MEAT	Remove thawed portions with fork. Separate remainder and return to oven.	Place in a microwavable baking dish.
Pot Roast, Chuck Roast	MEAT	Turn over. Cover warm areas with aluminum foil.	Place on a microwavable roasting rack.
Rib Roast	MEAT	Turn over. Cover warm areas with aluminum foil.	Place on a microwavable roasting rack.
Rolled Rump Roast	MEAT	Turn over. Cover warm areas with aluminum foil.	Place on a microwavable roasting rack.
<b>LAMB</b>			
Cubes for Stew	MEAT	Remove thawed portions with fork. Return remainder to oven.	Place in a microwavable baking dish.
Chops (1 inch thick)	MEAT	Separate and rearrange.	Place on a microwavable roasting rack.
<b>PORK</b>			
Chops (1/2 inch thick)	MEAT	Separate and rearrange.	Place on a microwavable roasting rack.
Hot Dogs	MEAT	Separate and rearrange.	Place on a microwavable roasting rack.
Spareribs Country-style Ribs	MEAT	Turn over. Cover warm areas with aluminum foil.	Place on a microwavable roasting rack.
Sausage, Links	MEAT	Separate and rearrange.	Place on a microwavable roasting rack.
Sausage, Bulk	MEAT	Remove thawed portions with fork. Turn over. Return remainder to oven.	Place in a microwavable baking dish.
Loin Roast, Boneless	MEAT	Turn over. Cover warm areas with aluminum foil.	Place on a microwavable roasting rack.

# Operation (cont'd)

## AUTO DEFROST CHART, (cont'd)

### Poultry Setting

FOOD	SETTING	AT BEEP	SPECIAL INSTRUCTIONS
<b>CHICKEN</b>			
Whole (up to 6 lbs.)	POULTRY	Turn over (finish defrosting breast-side down). Cover warm areas with aluminum foil.	Place chicken breast-side up on a microwavable roast rack. Finish defrosting by immersing in cold water. Remove giblets when chicken is partially defrosted.
Cut-up	POULTRY	Separate pieces and rearrange. Turn over. Cover warm areas with aluminum foil.	Place on a microwavable roasting rack. Finish defrosting by immersing in cold water.
<b>CORNISH HENS</b>			
Whole	POULTRY	Turn over. Cover warm areas with aluminum foil.	Place on a microwavable roasting rack. Finish defrosting by immersing in cold water.
<b>TURKEY</b>			
Breast (under 6 lbs.)	POULTRY	Turn over. Cover warm areas with aluminum foil.	Place on a microwavable roasting rack. Finish defrosting by immersing in cold water.

### Fish Setting

FOOD	SETTING	AT BEEP	SPECIAL INSTRUCTIONS
<b>FISH</b>			
Fillets	FISH	Turn over. Separate fillets when partially thawed if possible.	Place in a microwavable baking dish. Carefully separate fillets under cold water.
Steaks	FISH	Separate and rearrange.	Place in a microwavable baking dish. Run cold water over to finish defrosting.
Whole	FISH	Turn over.	Place in a microwavable baking dish. Cover head and tail with foil; do not let foil touch sides of microwave. Finish defrosting by immersing in cold water.
<b>SHELLFISH</b>			
Crabmeat	FISH	Break apart. Turn over.	Place in a microwavable baking dish.
Lobster tails	FISH	Turn over and rearrange.	Place in a microwavable baking dish.
Shrimp	FISH	Separate and rearrange.	Place in a microwavable baking dish.
Scallops	FISH	Separate and rearrange.	Place in a microwavable baking dish.

**NOTE:** Food to be defrosted must be not more than 6.0 lbs. (4.0 Kg).  
Available weight is 0.1~6.0 lbs (0.1~4.0 Kg).



## TIME DEFROST

This feature allows you to choose the time you want to defrost.

**Example: To defrost for 2 minutes.**

Time  
Defrost  
**2 0 0**

Start

1. Touch **TIME DEFROST** pad.
2. Enter the defrosting time you want.
3. Touch **START** pad. (Defrost starts)

When the defrost time is over, you will hear four beeps and **END** will display.

## RAPID DEFROST 1lb.

The RAPID DEFROST 1lb. feature provides a rapid defrost for 1.0 pound frozen food. The oven automatically sets the defrosting time for ground beef.

**Example: To defrost 1lb. ground beef.**

Rapid  
Defrost

1 lb.

Start

1. Touch **RAPID DEFROST** pad.
2. Touch **START** pad.

## USE OF THE TWO POSITION METAL RACK

The two position metal rack gives you extra space when cooking in more than one container at the same time. The metal rack can be turned upside down to accommodate different container sizes.

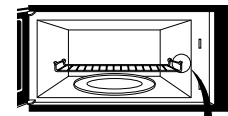
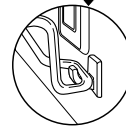
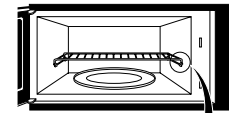
To use rack:

1. Place rack securely in the four plastic supports.
  - Rack **MUST NOT** touch metal walls or back of microwave oven.
2. Place equal amounts of food both **ABOVE** and **BELOW** rack.
  - Amount of food must be approximately the same to balance out cooking energy.

### CAUTION

To avoid risk of property damage:

- > Do not use rack to pop popcorn.
- > Rack must be on the four plastic supports when used.
- > Use the rack only when cooking food on two rack positions.
- > Do not cook with rack on floor of the oven.



**NOTE:** Use of the rack for sensor cooking is not recommended.

## TIME DEFROST CHART

FOOD	TIME	SPECIAL INSTRUCTIONS
<b>MEAT</b>		
Bacon (1 lb.)	2 - 4 minutes	Turn meat over at beep. Stand for 5 minutes after defrosting.
Ground meat (1 lb.)	4½ - 6 minutes	Turn meat over at beep. Stand for 5 minutes after defrosting.
Roasts	4½ - 6 minutes	Turn meat over at beep. Shield warm areas with foil. Stand for 5 to 10 minutes.
Steaks, chops and cutlets	4½ - 6 minutes per lb.	Same as above.
<b>POULTRY</b>		
Chicken, broiler-fryer cut up (2½ to 3 lbs.)	13 - 16 minutes	Turn meat over at beep. Shield warm areas with foil. Stand for 20 to 30 minutes. Cover with foil.
Chicken, Whole (2 to 3 lbs.)	15 - 18 minutes	Turn meat over at beep. Shield warm areas with foil. Stand for 20 to 30 minutes. Cover with foil.
Cornish hen	5 - 7 minutes per lb.	Turn meat over at beep. Shield warm areas with foil. Stand for 20 to 30 minutes. Cover with foil.
<b>FISH &amp; SEAFOOD</b>		
Fillets (1 lb.)	4 - 5½ minutes	Place block in casserole. Turn food over and break up after beep. stand for 5 minutes.
Shellfish, small pieces (1 lb.)	4 - 5 minutes	

**NOTE :** Defrost times are approximate and are intended as guidelines.

# Cooking

## GETTING THE BEST COOKING RESULTS

To get the best results from your microwave oven, read and follow the guidelines below.

- **Storage Temperature:** Foods taken from the freezer or refrigerator take longer to cook than the same foods at room temperature. The time for recipes in this book is based on the normal storage temperature of the food.
- **Size:** Small pieces of food cook faster than large ones, pieces similar in size and shape cook more evenly. For even cooking, reduce the power when cooking large pieces of food.
- **Natural Moisture:** Very moist foods cook more evenly because microwave energy is attracted to water molecules.
- **Stir** foods such as casseroles and vegetables from the outside to the center to distribute the heat evenly and speed cooking. Constant stirring is not necessary.
- **Turn over** foods like pork chops, baking potatoes, roasts, or whole cauliflower halfway through the

cooking time to expose all sides equally to microwave energy.

- **Place** delicate areas of foods, such as asparagus tips, toward the center of the dish.
- **Arrange** unevenly shaped foods, such as chicken pieces or salmon steaks, with the thicker, meatier parts toward the outside of the dish.
- **Shield**, with **small** pieces of aluminum foil, parts of food that may cook quickly, such as wing tips and leg ends of poultry.
- **Let It Stand:** After you remove the food from the microwave, cover food with foil or casserole lid and let it stand to finish cooking in the center and avoid overcooking the outer edges. The length of standing time depends on the density and surface area of the food.
- **Wrapping in waxed paper or paper towel:** Sandwiches and many other foods containing pre-baked bread should be wrapped prior to microwaving to prevent drying out.

## FISH AND SHELLFISH

### Cooking Fish and Shellfish: General Directions

- Prepare the fish for cooking.
  - Completely defrost the fish or shellfish.
  - Arrange unevenly shaped pieces with thicker parts toward the outside of the dish. Arrange shellfish in a single layer for even cooking.
  - The type of cover you use depends on how you cook. Poached fish needs a microwavable lid or vented plastic wrap.
  - Baked fish, coated fish, or fish in sauce needs to be covered lightly with waxed paper to keep the coating crisp and sauce from getting watery.
  - Always set the shortest cooking time. Fish is done when it turns opaque and the thickest part begins to flake. Shellfish is done when the shell turns from pink to red and the flesh is opaque and firm.
- The Fish and Shellfish Cooking Table below provides specific directions with Power Level and Cooking Time settings for most types of fish and shellfish.

## FISH AND SHELLFISH COOKING TABLE

FISH	POWER LEVEL	COOKING TIME	DIRECTIONS
Fish fillets	HI	3½-4½ minutes	Arrange fish in a single layer with thickest portion toward outside edge of 1½ quart microwavable baking dish. Brush with melted butter and season, if desired. Cook covered with vented plastic wrap. Let stand covered 2 minutes. If you are cooking more than 1 lb. of fish, turn the fish halfway through cooking.
Fish steaks	HI	4½-5½ minutes	
Whole fish	7	4½-6 minutes	
Scallops	HI	3½-5 minutes	Arrange in a single layer. Prepare as directed above, except stir instead of turning the shellfish.
Shrimp, shelled	HI	3½-5 minutes	

## APPETIZERS/SAUCES/ SOUPS

### Cooking Appetizers: Tips and Techniques

#### Recommended

- Crisp crackers, such as melba toast, shredded wheat, and crisp rye crackers are best for microwave use. Wait until party time to add the spreads. Place a paper towel under the crackers while they cook in the microwave oven to absorb extra moisture.
- Arrange individual appetizers in a circle for even cooking.
- Stir dips to distribute heat and shorten cooking time.

### Cooking Sauces: Tips and Techniques

- Use a microwavable casserole or glass measuring cup that is at least 2 or 3 times the volume of the sauce.
- Sauces made with cornstarch thicken more rapidly than those made with flour.

### Cooking Soups: Tips and Techniques

- Cook soups in a microwavable dish which holds double the volume of the recipe ingredients to prevent boil-over, especially if you use cream or milk in the soup.
- Generally, cover microwaved soups with VENTED plastic wrap or a microwavable lid.
- Cover foods to retain moisture. Uncover foods to retain crispness.
- Avoid overcooking by using the minimum suggested time. Add more time, if necessary, only after checking the food.

#### Not Recommended

- Appetizers with a crisp coating or puff pastry are best done in a conventional oven with dry heat.
- Breaded products can be warmed in the microwave oven but will not come out crisp.
- Cook sauces made with cornstarch or flour uncovered so you may stir them 2 or 3 times during cooking for a smooth consistency.
- To adapt a conventional sauce or gravy recipe, reduce the amount of liquid slightly.
- Stirring occasionally will help blend flavors, distribute heat evenly, and may even shorten the cooking time.
- When converting a conventional soup recipe to cook in the microwave, reduce the liquid, salt, and strong seasonings.

## MEAT

### Cooking Meat: General Directions

- Prepare the meat for cooking.
  - Defrost completely.
  - Trim off excess fat to avoid splattering.
  - Place the meat, fat side down, on a microwavable rack in a microwavable dish.
  - Use oven cooking bag for less tender cuts of meat.
  - Arrange the meat so that thicker portions are toward the outside of the dish.
  - Cover the meat with waxed paper to prevent splattering.

- Tend the meat as it cooks.
  - Drain juices as they accumulate to reduce splattering and keep from overcooking the bottom of the meat.
  - Shield thin or bony portions with strips of foil to prevent overcooking.

**NOTE:** Keep the foil **at least 1 inch** from the oven walls, and do not cover more than one-third of the meat with foil at any one time.

- Let the meat stand covered with foil 10-15 minutes after you remove it from the oven. The internal temperature of the meat may rise from 5-10° F during standing time.

The Meat Cooking Table on the next page provides detailed directions, Power Level, and Cooking Time settings for most cuts of meat.

# Cooking (cont'd)

## MEAT COOKING TABLE

MEAT	POWER LEVEL	COOKING TIME	DIRECTIONS
<b>BEEF</b> Hamburgers, Fresh or defrosted (4 ozs. each) 1 patty 2 patties 4 patties	HI	1-1½ minutes 1½-2 minutes 2½-3½ minutes	Form patties with depression in center of each. Place on microwavable roasting rack. Brush with browning agent, if desired. Cover with waxed paper. Turn over halfway through cooking. Let stand covered 1 minute.
Sirloin tip roast (3-4 lbs.)	5	8-10 minutes per pound RARE (135° F) 11-13 minutes per pound MEDIUM (155° F)	Place roast fat side down on microwavable roasting rack. Add desired seasonings and cover with waxed paper. Turn meat over halfway through cooking and shield if necessary. Remove roast from microwave oven when desired temperature is reached. Let stand covered with foil 15 minutes. (Temperature may rise about 10° F).
<b>LAMB</b> Lamb roast, rolled boneless (3-4 lbs.)	5	11-12 minutes per pound RARE (135° F) 12-13 minutes per pound MEDIUM (145° F) 13-14 minutes per pound WELL (155° F)	Place roast fat side down on microwavable roasting rack. Brush lamb with marinade or desired seasonings such as rosemary, thyme or marjoram. Cover with waxed paper. Turn roast over after 15 minutes, and again after 30 minutes. Shield if necessary. Remove roast from microwave when desired temperature is reached. Let stand covered with foil 15 minutes (Temperature may rise about 10° F).
<b>PORK</b> Bacon slices 2 slices 4 slices 6 slices 10 slices	HI	1½-2 minutes 2-3 minutes 4-5 minutes 7-8 minutes	Place bacon slices on microwavable roasting rack. Cover with paper towels. After cooking, let stand 1 minute.
Chops (5-7 ozs. each) 2 chops  4 chops	3	18-20 minutes per pound 15-17 minutes per pound	Place chops in microwavable baking dish. Add desired seasonings and cover with vented plastic wrap. Cook until no longer pink or until internal temperature reaches 170° F. Turn chops over halfway through cooking. Let stand covered 5 minutes. (Temperature may rise about 10° F).
Loin Roast, rolled, boneless (3½- 4½ lbs.)	3	25-27 minutes per pound (165° F)	Place roast in cooking bag in microwavable dish. Add seasonings and browning agent if desired. Close bag loosely with microwavable closure or string. After cooking, let stand in bag 15 minutes. (Temperature may rise about 10° F.) Internal temperature of pork should reach 170° F before serving.
Sausage links, Fresh or Frozen, defrosted (1-2 ozs. each) 2 links 4 links 6 links 10 links (8 oz. pkg.)	HI	45-60 seconds 1-1½ minutes 1½-2 minutes 1¾-2 minutes	Pierce links and place on microwavable roasting rack. Cover with waxed paper or paper towel. Turn over halfway through cooking. After cooking, let stand covered 1 minute.

## POULTRY

### Cooking Poultry: General Directions

- Prepare the poultry for cooking.
  - Defrost completely.
  - Arrange poultry pieces with thicker pieces at the outside edge of the baking dish. When cooking legs, arrange them like the spokes of a wheel.
  - Cover the baking dish with waxed paper to reduce splattering.
  - Use a browning agent or cook with a sauce to give a browned appearance.

- Watch the poultry as it cooks.
  - Drain and discard juices as they accumulate.
  - Shield thin or bony pieces with small strips of aluminum foil to prevent overcooking. Keep foil **at least 1 inch** from the oven walls and other pieces of foil.
- Poultry is done when it is no longer pink and the juices run clear. When done, the temperature in the thigh meat should be 180-185° F.
- Let the poultry stand after cooking covered with foil for 10 minutes.

The Poultry Cooking Table below provides detailed directions, Power Level, and Cooking Time settings for most cuts and types of poultry.

### POULTRY COOKING TABLE

POULTRY	POWER LEVEL	COOKING TIME	DIRECTIONS
Chicken pieces (2½-3 lbs.)	HI	4½-5½ minutes per pound	Before cooking, wash pieces and shake the water off. Place pieces in a single layer in a microwavable baking dish with thicker pieces to the outside. Brush with butter or browning agent and seasonings if desired. Cover with waxed paper. Cook until no longer pink and juices run clear. Let stand covered 5 minutes.
Chicken whole (3-3½ lbs.)	HI	12-13 minutes per pound	Before cooking, wash and shake off water. Place breast side down on a microwavable roasting rack. Brush with butter, or browning agent and seasoning if desired. Cover with waxed paper. Cook ⅓ of estimated time. Turn breast side up, brush with butter, or browning agent. Replace waxed paper. Cook ⅓ of estimated time again. Shield if necessary. Cook remaining ⅓ of estimated time or until no longer pink and juices run clear. Let stand covered with foil 10 minutes. (The temperature may rise about 10° F.) The temperature in the thigh should be 180° F-185° F when the poultry is done.
Cornish Hens whole (1-1½ lbs. each)	HI	6-7 minutes per pound	Before cooking, wash and shake the water off. Tie wings to body of hen and the legs to tail. Place hens breast side down on microwavable rack. Cover with waxed paper. Turn breast side up halfway through cooking. Shield bone ends of drumsticks with foil. Remove and discard drippings. Brush with butter or browning agent and seasonings if desired. Cook until no longer pink and juices run clear. Remove hens from microwave when they reach desired temperature. Let stand covered with foil 5 minutes. (Temperature may rise about 10° F). Temperature in breast should be 170° F before serving.

# Cooking (cont'd)

## PASTA AND RICE

Microwave cooking and conventional cooking of pasta, rice, and cereal require about the same amount of time, but the microwave is a more convenient method because you can cook and serve in the same dish. There is no stirring needed and leftover pasta tastes just like fresh cooked when reheated in the microwave oven.

### Cooking Pasta and Rice: Tips and Techniques

- If you are planning to use rice or pasta in a casserole, undercook it so it is still firm.
- Allow for standing time with rice, but not for pasta.
- The Pasta and Rice Cooking Tables below provide specific directions, with Power Level and cooking time settings for most common types of pasta and rice.

## PASTA COOKING TABLE

PASTA	POWER LEVEL	COOKING TIME	DIRECTIONS
<b>Spaghetti</b> 4 cups water Add 8 oz. spaghetti	HI 5	9-10 minutes 7½-8½ minutes	Combine hot tap water and salt, if desired. Use a 2-quart microwavable baking dish and cover with vented plastic wrap for spaghetti and lasagna noodles. Use microwavable lid or vented plastic wrap for macaroni and egg noodles. Cook at Power Level HI as directed in chart or until water boils. Stir in pasta; cook covered at Power Level 5 as directed in chart or until tender. Drain in a colander.
<b>Macaroni</b> 3 cups water Add 2 cups macaroni	HI 5	6-7 minutes 5½-6½ minutes	
<b>Lasagna noodles</b> 4 cups water Add 8 oz. lasagna noodles	HI 5	7-8 minutes 11-12½ minutes	
<b>Egg noodles</b> 6 cups water Add 4 cups noodles	HI 5	8-10 minutes 5½-6½ minutes	

## RICE COOKING TABLE

RICE	POWER LEVEL	COOKING TIME	DIRECTIONS
<b>Long grain</b> 2¼ cups water Add 1 cup rice	HI 5	4½-5½ minutes 14 minutes	Combine hot tap water and salt, if desired, in 2 quart microwavable casserole. Cover with microwavable lid or vented plastic wrap. Cook as directed in chart at Power Level HI or until water boils. Stir in rice and any seasonings. Cook covered as directed in chart at Power Level 5 or until water is absorbed and rice is tender. Let stand covered 5 to 10 minutes. Fluff with fork.
<b>Brown</b> 2½ cups water Add 1 cup rice	HI 5	4½-5½ minutes 28 minutes	
<b>Long grain and wild rice mix</b> 2½ cups water Add 6 oz. package	HI 5	4-5 minutes 24 minutes	
<b>Quick cooking</b> 1 cup water Add 1 cup rice	HI	2-3 minutes	Cook water until it boils. Stir rice into boiling water and let stand, covered 5 to 10 minutes or until water is absorbed and rice is tender. Fluff with fork.

## CARE AND CLEANING

For best performance and safety, keep the oven clean inside and outside. Take special care to keep the inner door panel and the oven front frame free of food or grease build-up.

### **Never use rough powder or pads.**

Wipe the microwave oven inside and out, including the hood bottom cover, with a soft cloth and a warm (not hot) mild detergent solution. Then rinse and wipe dry. Use a chrome cleaner and polish on chrome, metal and aluminum surfaces. Wipe spatters immediately with a wet paper towel, especially after cooking chicken or bacon. Clean your oven weekly or more often, if needed.

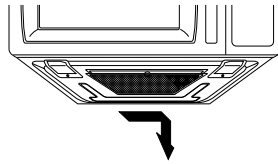
## METAL RACK

Wash the metal rack with a mild soap and a soft or nylon scrub brush. Dry completely. Do not use abrasive scrubbers or cleaners to clean rack.

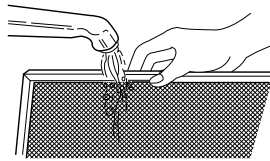
## CLEANING THE GREASE FILTER

The grease filter should be removed and cleaned often, at least once a month.

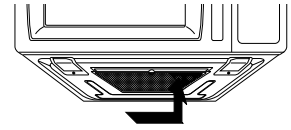
1. To remove grease filter, slide filter to the side. Pull filter downward and push to the other side. The filter will drop out.



2. Soak grease filter in hot water and a mild detergent. Rinse well and shake to dry. **Do not use ammonia or place in a dishwasher. The aluminum will darken.**



3. To reinstall the filter, slide it into the side slot, then push up and toward oven center to lock.



# Maintenance (cont'd)

## **CAUTION**

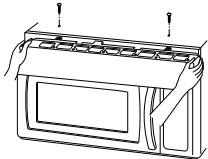
To avoid risk of personal injury or property damage, do not operate oven hood without filters in place.

## CHARCOAL FILTER REPLACEMENT

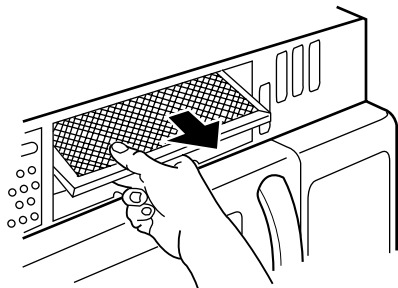
If your oven is vented inside, the charcoal filter should be replaced every 6 to 12 months, and more often if necessary. The charcoal filter cannot be cleaned. To order a new charcoal filter, contact the Parts Department at your nearest Authorized Service Center or call **1-800-688-1100** (inside U.S.A and Canada).

Order Charcoal Filter kit #: MVHRK3.

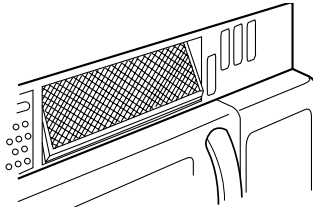
1. Disconnect Power to oven.
2. Remove the two vent grille mounting screws. (2 middle screws)



3. Push the right side lower part of the charcoal filter.
4. Remove old filter.



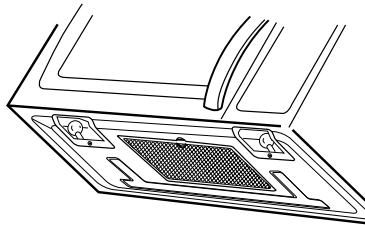
5. Slide a new charcoal filter into place. The filter should rest at the angle shown.



6. Slide the bottom of the grille into place. Push the top until it snaps into place. Replace the mounting screws. Turn the power back on at the main power supply and set the clock.

## COOKTOP/NIGHT LIGHT REPLACEMENT

1. Unplug the oven or turn off power at the main power supply.



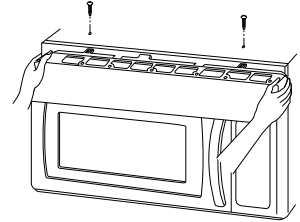
2. Remove the bulb cover mounting screws.
3. Replace bulb(s) with 30 watt appliance bulb(s).
4. Replace bulb cover, and mounting screws.
5. Turn the power back on at the main power supply.

## **CAUTION**

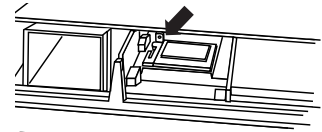
To avoid personal injury or property damage, wear gloves when replacing light bulb.

## OVEN LIGHT REPLACEMENT

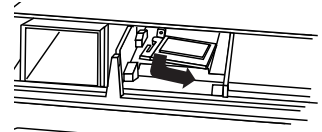
1. Unplug oven or turn off power at the main power supply.
2. Remove the vent cover mounting screws. (2 middle screws)
3. Tip the cover forward, then lift out to remove.



4. Remove bulb holder.



5. Lift up the bulb holder.



6. Replace bulb with a 30 or 40 watt appliance bulb.
7. Replace the bulb holder.
8. Slide the bottom of the vent cover into place. Push the top until it snaps into place. Replace the mounting screws. Turn the power back on at the main power supply.



# Recommended Utensils

## MICROWAVE UTENSIL GUIDE

USE	DO NOT USE
<p><b>OVENPROOF GLASS</b> (treated for high intensity heat): Utility dishes, loaf dishes, pie plates, cake plates, liquid measuring cups, casseroles and bowls without metallic trim.</p> <p><b>CHINA:</b> Bowls, cups, serving plates and platters without metallic trim.</p> <p><b>PLASTIC:</b> Plastic wrap (as a cover)-- lay the plastic wrap loosely over the dish and press it to the sides. Vent plastic wrap by turning back one edge slightly to allow excess steam to escape. The dish should be deep enough so that the plastic wrap will not touch the food. As the food heats it may melt the plastic wrap wherever the wrap touches the food. Use plastic dishes, cups, semi-rigid freezer containers and plastic bags <b>only for short cooking time. Use these with care because the plastic may soften from the heat of the food.</b></p> <p><b>PAPER:</b> Paper towels, waxed paper, paper napkins, and paper plates with no metallic trim or design. Look for the manufacturer's label for use in the microwave oven.</p>	<p><b>METAL UTENSILS:</b> Metal shields the food from microwave energy and produces uneven cooking. Also avoid metal skewers, thermometers or foil trays. Metal utensils can cause arcing, which can damage your microwave oven.</p> <p><b>METAL DECORATION:</b> Metal-trimmed or metal-banded dinnerware, casserole dishes, etc. The metal trim interferes with normal cooking and may damage the oven.</p> <p><b>ALUMINUM FOIL:</b> Avoid large sheets of aluminum foil because they hinder cooking and may cause harmful arcing. Use small pieces of foil to shield poultry legs and wings. Keep ALL aluminum foil at least 1 inch from the side walls and door of the oven.</p> <p><b>WOOD:</b> Wooden bowls and boards will dry out and may split or crack when you use them in the microwave oven. Baskets react in the same way.</p> <p><b>TIGHTLY COVERED UTENSILS:</b> Be sure to leave openings for steam to escape from covered utensils. Pierce plastic pouches of vegetables or other food items before cooking. Tightly closed pouches could explode.</p> <p><b>BROWN PAPER:</b> Avoid using brown paper bags. They absorb too much heat and could burn.</p> <p><b>FLAWED OR CHIPPED UTENSILS:</b> Any utensil that is cracked, flawed, or chipped may break in the oven.</p> <p><b>METAL TWIST TIES:</b> Remove metal twist ties from plastic or paper bags. They become hot and could cause a fire.</p>

# Trouble Shooting

---

## Before Calling for Service

Check the following list to be sure a service call is necessary. Reviewing additional information on items to check may prevent an unneeded service call.

<b>Problem</b>	<b>Possible Causes</b>
If nothing on the oven operates	<ul style="list-style-type: none"><li>• check for a blown circuit fuse or a tripped main circuit breaker.</li><li>• check if oven is properly connected to electric circuit in house.</li><li>• check that controls are set properly.</li></ul>
If the oven interior light does not work	<ul style="list-style-type: none"><li>• the light bulb is loose or defective.</li></ul>
If oven will not cook	<ul style="list-style-type: none"><li>• check that control panel was programmed correctly.</li><li>• check that door is firmly closed.</li><li>• check that Start Pad was touched.</li><li>• check that timer wasn't started instead of a cook function.</li></ul>
If oven takes longer than normal to cook or cooks too rapidly	<ul style="list-style-type: none"><li>• be sure the Power Level is programmed properly.</li></ul>
If the time of day clock does not always keep correct time	<ul style="list-style-type: none"><li>• check that the power cord is fully inserted into the outlet receptacle.</li><li>• be sure the oven is the only appliance on the electrical circuit.</li></ul>
If food cooks unevenly	<ul style="list-style-type: none"><li>• be sure food is evenly shaped.</li><li>• be sure food is completely defrosted before cooking.</li><li>• check placement of aluminum foil strips used to prevent overcooking.</li></ul>
If food is undercooked	<ul style="list-style-type: none"><li>• check recipe to be sure all directions (amount, time, and power levels) were correctly followed.</li><li>• be sure microwave oven is on a separate circuit.</li><li>• be sure food is completely defrosted before cooking.</li></ul>
If food is overcooked	<ul style="list-style-type: none"><li>• check recipe to be sure all directions (amount, power level, time, size of dish) were followed.</li></ul>
If arcing (sparks) occur	<ul style="list-style-type: none"><li>• be sure microwavable dishes were used.</li><li>• be sure wire twist ties were not used.</li><li>• be sure oven was not operated when empty.</li><li>• make sure metal rack (if used) is properly installed on 4 supports.</li></ul>
If the display shows a time counting down but the oven is not cooking	<ul style="list-style-type: none"><li>• check that door is firmly closed.</li><li>• check that timer was not started instead of a cooking function.</li></ul>
Vent fan starts automatically	<ul style="list-style-type: none"><li>• If the temperature gets too hot around the microwave oven, the fan in the vent hood will automatically turn on at the LOW setting to cool the oven. It may stay on up to an hour to cool the oven.</li></ul>

# Questions and Answers

## WARNING

To avoid electrical shock which can cause severe personal injury or death, do not remove outer case at any time, only an authorized servicer should remove outer case.

## QUESTIONS AND ANSWERS

Question	Answer
Can I use a rack in my microwave oven so that I may reheat or cook in two rack positions at a time?	Only use the rack that is supplied with your microwave oven. Use of any other rack can result in poor cooking performance and/or arcing and may damage your oven.
Can I use either metal or aluminum pans in my microwave oven?	Usable metal includes aluminum foil for shielding (use small, flat pieces). Never allow metal to touch walls or door.
Sometimes the door of my microwave oven appears wavy. Is this normal?	This appearance is normal and does not affect the operation of your oven.
What are the humming noises I hear when my microwave oven is operating?	This is the sound of the transformer when the magnetron tube cycles on and off.
Why does the dish become hot when I microwave food in it?	As the food becomes hot it will conduct the heat to the dish. Use hot pads to remove food after cooking. Dish may not be microwave safe.
What does standing time mean?	Standing time means that food should be taken out of the oven and covered for additional time after cooking. This process allows the cooking to finish, saves energy, and frees the oven for other purposes.
Can I pop popcorn in my microwave oven? How do I get the best results?	Yes. Pop packaged microwave popcorn following manufacturer's guidelines or use the preprogrammed Popcorn pad. Do not use regular paper bags. Use the listening test by stopping the oven as soon as the popping slows to a pop every one or two seconds. Do not try to repop unpopped kernels. You can also use special microwave poppers. When using a popper, be sure to follow manufacturer's directions. Do not pop popcorn in glass utensils.
Why does steam come out of the air exhaust vent?	Steam is normally produced during cooking. The microwave oven has been designed to vent this steam out the top vent.

# Warranty

---

## Full Two Year Warranty

For two (2) years from the date of original retail purchase, any part which fails in normal home use will be repaired or replaced free of charge.

### Limited Parts Warranty

After the second year from the date of original retail purchase through the fifth year, the following parts which fail in normal home use will be repaired or replaced free of charge for the part itself, with the owner paying all other costs, including labor, when the appliance is located in the United States or Canada: (1) touch pad and microprocessor, (2) Magnetron tube.

### Limited Parts Warranty Outside the United States and Canada

For one (1) year from the date of original retail purchase, any part which fails in normal home use will be repaired or replaced free of charge for the part itself, with the owner paying all other costs, including labor, when the appliance is located outside the United States or Canada.

### Canadian Residents

This warranty covers only those appliances installed in Canada that have been listed with Canadian Standards Association unless the appliances are brought into Canada due to transfer or residence from the United States to Canada.

## What is not covered by these warranties

- Replacement of household fuses, resetting of circuit breakers, or correction to household wiring or plumbing.
- Normal product maintenance and cleaning, including light bulbs.
- Products with original serial numbers removed, altered, or not readily determined.
- Products purchased for commercial, industrial, rental, or leased use.
- Products located outside of the United States or Canada.
- Premium service charges, if the servicer is requested to perform service in addition to normal service or outside normal service hours or area.
- Adjustments after the second year.
- Repairs resulting from the following:
  - Improper installation, exhaust system, or maintenance.
  - Any modification, alteration, or adjustment not authorized by Maytag.
  - Accident, misuse, abuse, fire, flood, or acts of nature.
  - Connections to improper electrical current, voltage supply, or gas supply.
  - Use of improper pans, containers, or accessories that cause damage to the product.
- Travel.

## If you need service

- Call the dealer from whom your appliance was purchased or call Maytag Appliances Sales Company, Maytag Customer Assistance at 1-800-688-1100, USA and Canada to locate an authorized servicer.
- Be sure to retain proof of purchase to verify warranty status. Refer to WARRANTY for further information on owner's responsibilities for warranty service.
- If the dealer or service company cannot resolve the problem, write to Maytag Appliances Sales Company, Attn: CAIR® Center, P.O. Box 2370, Cleveland, TN 37320-2370, or call **1-800-688-1100** USA and Canada.  
U.S. customers using TTY for deaf, hearing impaired or speech impaired, call 1-800-688-2080.  
**NOTE:** When writing or calling about a service problem, please include the following information:
  - a. Your name, address and telephone number;
  - b. Model number and serial number;
  - c. Name and address of your dealer or servicer;
  - d. A clear description of the problem you are having;
  - e. Proof of purchase (sales receipt).
- User's guides, service manuals and parts information are available from Maytag Appliances Sales Company, Maytag Customer Assistance.

### IN NO EVENT SHALL MAYTAG BE LIABLE FOR INCIDENTAL OR CONSEQUENTIAL DAMAGES.

This warranty gives you specific legal rights, and you may have others which vary from state to state. For example, some states do not allow the exclusion or limitation of incidental or consequential damages, so this exclusion may not apply to you.

# Four à micro-ondes à hotte intégrée

# Guide de l'utilisateur

*JMV8196AA/JMV8196AC*

**Installateur :** Remettre ce manuel au propriétaire.

**Consommateur :** Lire le manuel et le conserver comme référence. Conserver la facture d'achat ou le chèque encaissé comme preuve de l'achat.

Numéro de modèle

Numéro de série

Date d'achat

Dans le cadre de nos pratiques d'amélioration constante de la qualité et de la performance de nos appareils, des modifications de l'appareil qui ne sont pas mentionnées dans ce manuel ont pu être introduites.

Pour toute question, nous écrire ou nous contacter (indiquer le numéro de modèle et le numéro de téléphone) , à :

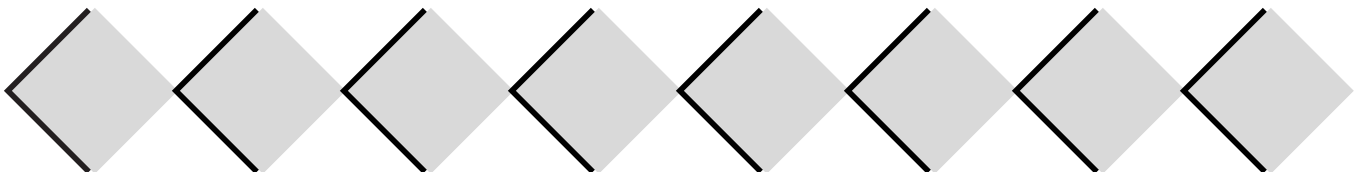
Maytag Appliances Sales Company  
Attn: CAIR® Center  
P.O. Box 2370  
Cleveland, TN 37320-2370  
1-800-688-1100 (É.-U. et Canada)  
(Lundi - vendredi, 8 h - 20 h –  
heure de l'Est)  
Site Internet : <http://www.jennair.com>

## Table des matières

Instructions de sécurité importantes . . . . .	30-32
Caractéristiques . . . . .	33-34
Utilisation . . . . .	35-45
Cuisson . . . . .	46-50
Entretien . . . . .	51-52
Ustensiles recommandés. . . . .	53
Guide de dépannage. . . . .	54
Questions et réponses. . . . .	55
Garantie . . . . .	56
Guía del Usuario. . . . .	57

## Four à micro-ondes

**Conservez ces instructions comme références.  
Ce manuel doit être rangé près du four.**



# INSTRUCTIONS DE SÉCURITÉ IMPORTANTES

## Ce que vous devez savoir sur les instructions de sécurité

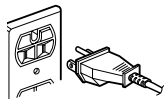
Les instructions de sécurité importantes et les avertissements paraissant dans ce manuel ne sont pas destinés à couvrir toutes les situations et conditions éventuelles qui peuvent se présenter. Il faut faire preuve de bon sens et de prudence lors de l'installation, de l'entretien ou de l'utilisation d'un four à micro-ondes.

Prenez toujours contact avec votre détaillant, distributeur, agent de service ou fabricant, au sujet de problèmes ou conditions que vous ne comprenez pas.

### AVERTISSEMENT

Pour éviter tout risque de choc électrique ou même de mort, ce four doit être mis à la terre et sa fiche ne doit pas être modifiée.

## Instructions de liaison à la terre



**Il FAUT que ce four soit relié à la terre.**  
La liaison à la terre permet l'évacuation

## Reconnaissez les étiquettes, phrases ou symboles sur le sécurité

### DANGER

**DANGER** — risques immédiats qui RÉSULTERONT en de graves blessures ou même la mort.

### AVERTISSEMENT

**AVERTISSEMENT** — risques ou pratiques non sûres, qui POURRAIENT résulter en de graves blessures ou même la mort.

### ATTENTION

**ATTENTION** — risques ou pratiques non sûres qui POURRAIENT résulter en blessures mineures.

du courant vers la terre, ce qui réduit le risque de choc électrique. Ce four est doté d'un cordon avec fiche de branchement à trois broches, pour liaison à la terre. On doit brancher la fiche sur une prise de courant convenablement installée et reliée à la terre.

En cas de non-compréhension des instructions de liaison à la terre ou en cas d'incertitude quant à la qualité de la liaison à la terre de l'appareil, consulter un technicien ou électricien qualifié.

### **Ne pas utiliser de rallonge électrique.**

Si le cordon de l'appareil est trop court, faire installer une prise de courant à 3 alvéoles. Ce four doit être branché sur un circuit indépendant de 60 hertz aux caractéristiques nominales indiquées dans le tableau des spécifications. Si le four est branché sur le même circuit qu'un autre équipement, il pourrait en résulter une augmentation des durées de cuisson avec risque que les fusibles ne grillent.

Le four à micro-ondes fonctionne sur un courant domestique standard de 110-120 volts.

## ÉNONCÉ SUR LES INTERFÉRENCES AVEC LES FRÉQUENCES RADIO – COMMISSION FÉDÉRALE DES COMMUNICATIONS (É.-U. SEULEMENT)

Ce four à micro-ondes génère de l'énergie à des fréquences élevées; s'il n'est pas installé et utilisé correctement, c'est-à-dire en stricte conformité avec les instructions du fabricant, le four peut susciter des interférences perturbant la réception des ondes de radio et télévision. Cet appareil a été testé et il a été trouvé conforme aux limites imposées par les spécifications de la partie 18 des règlements de la Commission Fédérale des Communications (FCC) – portant sur les équipements ISM, et qui sont conçus pour offrir une protection raisonnable à de telles interférences dans une installation résidentielle.

Cependant, il n'y a aucune garantie qu'aucune interférence ne se produira dans une installation en particulier. Si cet équipement n'entraîne pas d'interférence avec la réception des ondes de radio et de télévision (effet qui peut être diagnostiqué par l'arrêt puis la mise en marche de l'équipement), l'utilisateur est encouragé à essayer de corriger la situation au moyen d'une ou de plusieurs des mesures suivantes :

- Réorienter l'antenne de réception de télévision ou de radio.
- Modifier la position du four à micro-ondes par rapport au récepteur de radio ou de télévision.
- Éloigner le four à micro-ondes du récepteur.
- Brancher le four à micro-ondes dans une prise différente de sorte que le four à micro-ondes et le récepteur soient alimentés par des circuits différents.

**Le fabricant** n'est pas responsable des interférences aux ondes de radio et de télévision causées par une **modification non-autorisée** du four à micro-ondes. Il revient à l'utilisateur d'éliminer de telles interférences.

## CONSERVEZ CES INSTRUCTIONS

# INSTRUCTIONS DE SÉCURITÉ IMPORTANTES

## ATTENTION

Lors de l'utilisation d'appareils électriques, des précautions de sécurité de base doivent être suivies pour réduire le risque de brûlure, choc électrique, incendie ou blessure ainsi que le risque d'exposition excessive à l'énergie des micro-ondes.

1. LIRE la totalité des instructions avant d'utiliser l'appareil.
2. LIRE ET RESPECTER les instructions spécifiques « PRÉCAUTIONS À OBSERVER POUR ÉVITER UNE EXPOSITION EXCESSIVE À L'ÉNERGIE DES MICRO-ONDES », sur cette page.
3. Cet appareil DOIT ÊTRE RELIÉ À LA TERRE. Brancher l'appareil uniquement dans une prise de courant convenablement RELIÉE À LA TERRE. Voir les instructions d'installation.
4. Installer l'appareil UNIQUEMENT conformément aux instructions d'installation fournies dans ce manuel.
5. Certains produits, comme oeufs entiers et contenants scellés, par exemple bocaux fermés, peuvent exploser. Il **NE FAUT PAS** les faire **CHAUFFER** dans ce four.
6. Utiliser cet appareil **UNIQUEMENT** dans les applications prévues dans ce manuel. Ne pas utiliser dans cet appareil un produit émetteur de vapeur ou composé chimique corrosif. Ce type de four est spécifiquement conçu pour les opérations de chauffage, cuisson ou dessiccation d'aliments. Il n'est pas conçu pour une utilisation industrielle ou de laboratoire.
7. Comme pour tout appareil ménager, il est nécessaire de **SUPERVISER ÉTROITEMENT** les **ENFANTS** ou **PERSONNES INFIRMES** lors de l'utilisation de l'appareil.
8. Consulter les instructions de nettoyage données dans la section Entretien et nettoyage du manuel à la page 51.
9. Les petits pots pour bébé doivent être ouverts lorsqu'ils sont chauffés au four à micro-ondes, et leur contenu mélangé ou agité avant d'être consommé, pour éviter toute brûlure.
10. **NE PAS** utiliser ce four à des fins commerciales. Il n'est destiné qu'à un usage domestique.
11. **NE PAS** faire réchauffer de biberons dans le four.
12. **NE PAS** faire fonctionner ce four si le cordon ou la fiche de branchement ont été endommagés, s'il ne fonctionne pas correctement ou s'il a subi des dommages ou une chute.
13. SEUL un technicien est habilité à exécuter des travaux d'entretien sur cet appareil. Des outils spéciaux sont nécessaires pour ce faire. Prendre contact avec l'établissement de service agréé le plus proche pour permettre l'inspection, la réparation ou le réglage.
14. **NE PAS** recouvrir ou obstruer un filtre ou une ouverture de l'appareil.
15. **NE PAS** remiser cet appareil à l'extérieur. **NE PAS** l'utiliser à proximité d'eau, par exemple près d'un évier de cuisine, dans un sous-sol humide ou à proximité d'une piscine ou endroit semblable.
16. **NE PAS** immerger le cordon ou la fiche de branchement dans de l'eau.
17. Maintenir le cordon d'alimentation À DISTANCE de toute surface CHAUFFÉE.
18. **NE PAS** laisser le cordon d'alimentation pendre sur le rebord d'une table ou d'un plan de travail.
19. Nettoyer fréquemment la hotte d'extraction.
20. Ne pas laisser la graisse s'accumuler sur la hotte ou les filtres.
21. Procéder avec prudence lors du nettoyage du filtre de la hotte d'extraction. Un produit de nettoyage corrosif comme un nettoyant pour le four à base de potasse, peut endommager le filtre.
22. Faire fonctionner le ventilateur, lors du flambage d'aliments sous la hotte.
23. Peut être utilisé au-dessus d'un appareil de cuisson à gaz ou électrique, de 91,44 cm (36 po) de largeur ou moins.

## PRÉCAUTIONS À OBSERVER POUR ÉVITER UNE EXPOSITION EXCESSIVE À L'ÉNERGIE DES MICRO-ONDES

- A. **Ne pas** tenter de faire fonctionner ce four lorsque la porte est ouverte; le fonctionnement du four lorsque la porte est ouverte pourrait susciter une exposition dangereuse à l'énergie des micro-ondes. Il est important de ne pas circonvier ou modifier les dispositifs d'interverrouillage de sécurité.
- B. Veiller à **ne placer** aucun objet entre la face avant du four et la porte, et à **ne pas** laisser des souillures ou résidus de produits de nettoyage s'accumuler sur les surfaces de contact porte/châssis.
- C. **Ne pas** faire fonctionner le four s'il est endommagé. Il est particulièrement important que la porte du four puisse fermer parfaitement et qu'il n'y ait aucune détérioration de :
  1. porte (déformation),
  2. charnières et loquets (brisés ou desserrés),
  3. joints de porte et surfaces de contact.
- D. Seul un personnel qualifié est habilité à exécuter des réglages ou réparations sur le four à micro-ondes.

**CONSERVEZ CES INSTRUCTIONS**

# INSTRUCTIONS DE SÉCURITÉ IMPORTANTES

## **Reconnaissez ce symbole annonçant un message sur la SÉCURITÉ**

### **AVERTISSEMENT**

Pour réduire le risque de feu dans la cavité du four :

- a. **NE PAS** cuire excessivement un aliment. Surveiller attentivement l'appareil si on a placé un article en papier, plastique ou autre matériau combustible dans la cavité pour faciliter la cuisson.
- b. Enlever les attaches métalliques des sachets en papier ou en plastique avant de les placer dans le four.
- c. Advenant l'inflammation d'un article à l'intérieur du four, maintenir la porte FERMÉE, arrêter le four et débrancher le cordon d'alimentation, ou interrompre l'alimentation du circuit au niveau du tableau de fusibles ou de disjoncteurs.
- d. **NE RIEN** remiser dans la cavité du four. **NE PAS** placer des produits en papier, aliments ou ustensiles de cuisson dans la cavité du four lorsqu'il n'est pas utilisé.

### **AVERTISSEMENT**

Les liquides comme eau, café ou thé peuvent surchauffer au-delà du point d'ébullition sans paraître bouillir, en raison de la tension superficielle du liquide. Lorsque le contenant est retiré du four à micro-ondes, il n'y a pas toujours présence d'ébullition ou de bulles visibles. **CECI PEUT ENTRAÎNER L'ÉBULLITION SOUDAINE ET LA PROJECTION DE LIQUIDES TRÈS CHAUDS LORSQU'UNE CUILLÈRE OU AUTRE USTENSILE EST PLACÉ DANS LE LIQUIDE.** Pour réduire le risque de blessures :

1. Ne pas surchauffer le liquide.
2. Remuer le liquide avant de le faire chauffer et au milieu du temps de chauffage.
3. Ne pas utiliser de contenants à côtés rectilignes avec goulots étroits.
4. Après le chauffage, prévoir un temps d'attente et laisser le contenant dans le four à micro-ondes avant de l'en retirer.
5. User de prudence en mettant une cuillère ou autre ustensile dans le contenant.

### **ATTENTION**

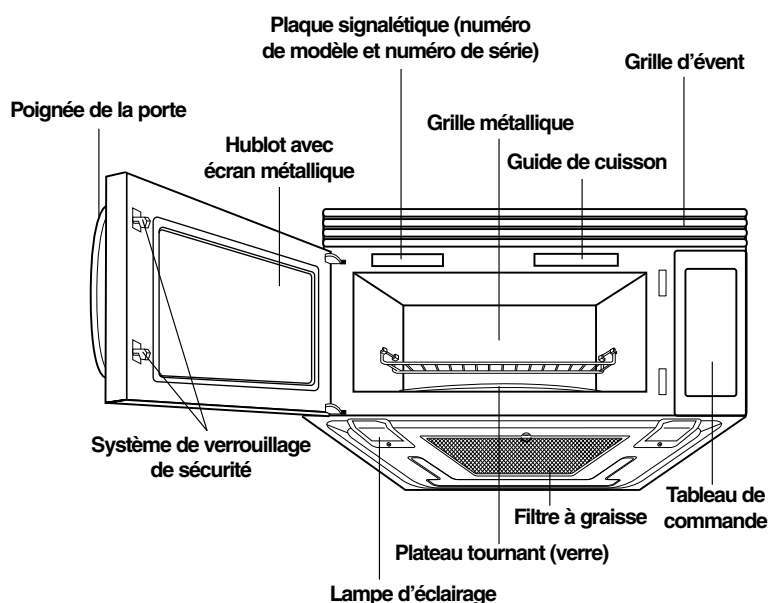
Pour éviter blessures ou dommages matériels, observer les précautions suivantes :

1. Ne pas faire frire à grande friture dans le four à micro-ondes. La graisse pourrait surchauffer et présenter un risque à manipuler.
2. Ne pas faire cuire ou réchauffer des oeufs dans leur coquille ou avec un jaune entier dans un four à micro-ondes. La pression pourrait s'accumuler et faire exploser l'œuf. Percer le jaune d'œuf à l'aide d'une fourchette ou d'un couteau avant de le faire cuire.
3. Percer la peau des pommes de terre, tomates et aliments semblables avant de les faire cuire au four à micro-ondes. Lorsque la peau est percée, la vapeur s'échappe uniformément.
4. Ne pas faire fonctionner le four sans aliment présent dans la cavité.
5. N'utiliser que du maïs à éclater dans des emballages prévus pour être utilisés dans un four à micro-ondes. La durée de préparation varie selon la puissance du four. Ne pas continuer à chauffer si l'éclatement du maïs est terminé. Le maïs risquerait de brûler ou de se ratatiner. Ne pas laisser le four sans surveillance.
6. Ne pas utiliser de thermomètre à cuisson standard dans le four à micro-ondes. La plupart des thermomètres contiennent du mercure, ce qui peut entraîner la formation d'un arc électrique, le mauvais fonctionnement ou encore l'endommagement du four.
7. Ne pas utiliser d'ustensile métallique dans le four.
8. Ne pas utiliser de papier, plastique ou autres matériaux combustibles non prévus pour la cuisson.
9. Lors de la cuisson avec du papier, plastique ou autres matériaux combustibles, suivre les recommandations du fabricant sur l'utilisation du produit.
10. Ne pas utiliser de papier essuie-tout qui contient du nylon ou autres fibres synthétiques. Les matériaux synthétiques chauffés pourraient fondre et faire s'enflammer le papier.
11. Ne pas faire chauffer dans le four de sac plastique ou contenant fermé. Le liquide ou l'aliment pourrait se dilater rapidement et faire casser le sachet ou le contenant. Percer ou ouvrir le contenant ou le sachet avant de le faire chauffer aux micro-ondes.
12. Pour éviter le mauvais fonctionnement d'un stimulateur cardiaque, consulter un médecin ou le fabricant de ce stimulateur pour connaître les effets potentiels de l'énergie des micro-ondes sur celui-ci.

## CONSERVEZ CES INSTRUCTIONS



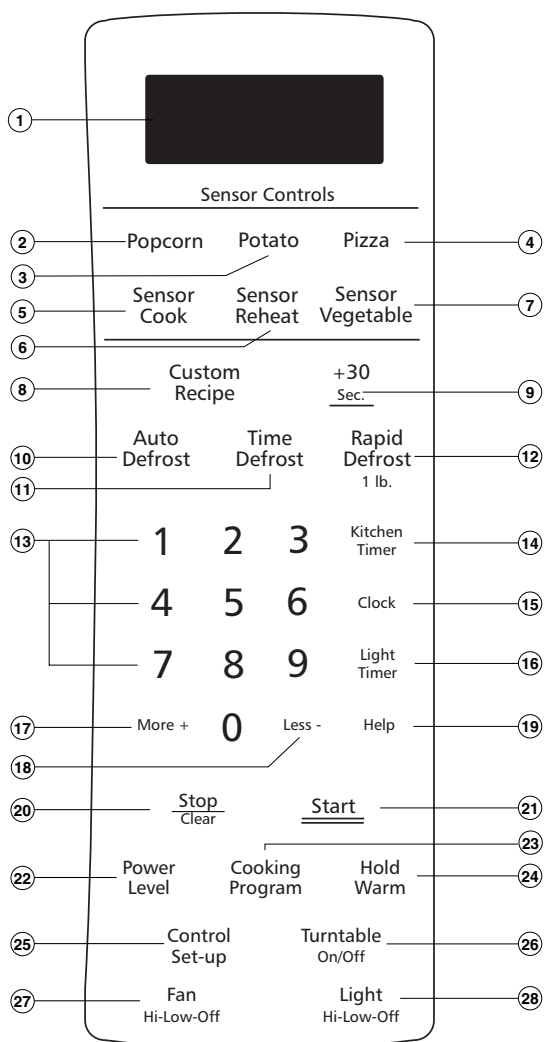
# Caractéristiques



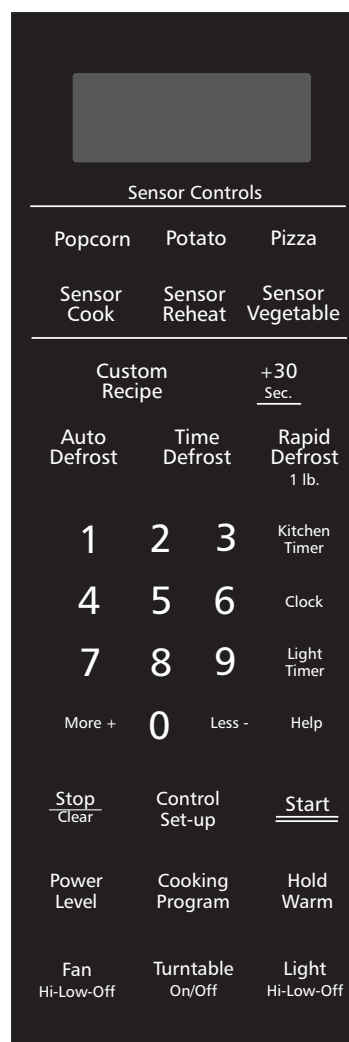
## SPÉCIFICATIONS DU FOUR

Alimentation électrique	120 VCA, 60 Hz
Demande de puissance	1 500 W
Puissance de cuisson	1 000 W Norme IEC 60705
Fréquence	2 450 MHz
Demande de courant	13 A
Dimensions externes (Largeur x Hauteur x Profondeur)	29 15/16 po (76,0 cm) x 16 7/16 po (41,8 cm) x 15 5/8 po (39,7 cm)
Volume de la cavité	1,9 pi <sup>3</sup> (0,054 m <sup>3</sup> )
Poids net	60 lb (27,2 kg).

## JMV8196AA/AC



## JMV8196AAS/ACS



# Caractéristiques (suite)

## CARACTÉRISTIQUES

**REMARQUE :** Stylisme et caractéristiques variables selon le modèle.

- 1. AFFICHEUR :** L'afficheur inclut une horloge et des indicateurs; ils affichent l'heure, les durées de cuisson et les fonctions de cuisson sélectionnées.
- 2. POPCORN (MAÏS À ÉCLATER) :** Appuyer sur cette touche pour commander une opération d'éclatement de maïs dans le four à micro-ondes. La durée de chauffage sera déterminée par le circuit du capteur en fonction de la quantité d'humidité émise par le maïs. Pour d'autres informations, voir page 39.
- 3. POTATO (POMME DE TERRE) :** Appuyer sur cette touche pour commander une opération de cuisson de pomme de terre. La durée de chauffage sera déterminée par le circuit du capteur en fonction de la quantité d'humidité émise par la pomme de terre. Pour d'autres informations, voir page 40.
- 4. PIZZA :** Appuyer sur cette touche pour commander le réchauffage d'une part de pizza. La durée de chauffage sera déterminée par le circuit du capteur en fonction de la quantité d'humidité émise par la part de pizza. Pour d'autres informations, voir page 39.
- 5. SENSOR COOK (CUISSON PAR CIRCUIT DU CAPTEUR) :** Appuyer sur cette touche pour commander la cuisson de divers mets : mets surgelé, mets en sauce ou riz. La durée de chauffage sera déterminée par le circuit du capteur en fonction de la quantité d'humidité émise par le mets. Pour d'autres informations, voir page 40.
- 6. SENSOR REHEAT (RÉCHAUFFAGE PAR CAPTEUR) :** Appuyer sur cette touche pour commander le réchauffage de divers mets : mets en sauce, assiette de dîner, soupe/sauce. La durée de chauffage sera déterminée par le circuit du capteur en fonction de la quantité d'humidité émise par le mets. Pour d'autres informations, voir page 41.
- 7. SENSOR VEGETABLE (LÉGUMES PAR CAPTEUR) :** Appuyer sur cette touche pour commander la cuisson de légumes. La durée de chauffage sera déterminée par le circuit du capteur en fonction de la quantité d'humidité émise par les légumes. Pour d'autres informations, voir page 40.
- 8. CUSTOM RECIPE (RECETTE PERSONNELLE) :** Appuyer sur cette touche pour commander l'exécution d'une opération de cuisson antérieurement programmée dans la mémoire de l'appareil. Pour d'autres informations, voir page 37.
- 9. + 30 SEC. (ADDITION 30 SECONDES) :** Appuyer sur cette touche pour commander le déclenchement instantané d'une opération de cuisson au niveau de puissance 100 %. Pour d'autres informations, voir page 36.
- 10. AUTO DEFROST (DÉCONGÉLATION AUTOMATIQUE) :** Pour viande, volaille, poisson. Appuyer sur cette touche pour sélectionner le type d'aliment et commander la décongélation en fonction du poids. Pour d'autres informations, voir page 41.
- 11. TIME DEFROST (DÉCONGÉLATION MINUTÉE) :** Appuyer sur cette touche pour commander la décongélation de la plupart des autres aliments surgelés. Pour d'autres informations, voir page 45.
- 12. RAPID DEFROST 1 lb. (DÉCONGÉLATION RAPIDE - 1 lb. [0,45 kg.]) :** Cette touche commande une opération de décongélation RAPIDE pour une livre (0,45 kg) d'aliments surgelés. Pour d'autres informations, voir page 45.
- 13. TOUCHES NUMÉRIQUES :** Utiliser les touches numériques pour entrer les valeurs de durée de cuisson, puissance de chauffage, quantité ou poids.
- 14. KITCHEN TIMER (MINUTERIE) :** Appuyer sur cette touche pour la programmation de la minuterie. Pour d'autres informations, voir page 35.
- 15. CLOCK (HORLOGE) :** Appuyer sur cette touche pour entrer l'heure exacte. Pour d'autres informations, voir page 35.
- 16. LIGHT TIMER (MINUTERIE LAMPE) :** Appuyer sur cette touche pour régler la minuterie d'éclairage. Pour d'autres informations, voir page 36.
- 17. MORE (PLUS) :** Appuyer sur cette touche pour ajouter 10 secondes de durée de cuisson (chaque pression). Pour d'autres informations, voir page 37.
- 18. LESS (MOINS) :** Appuyer sur cette touche pour réduire de 10 secondes (pour chaque cuisson) la durée de cuisson déjà programmée. Pour d'autres informations, voir page 37.
- 19. HELP (AIDE) :** Appuyer sur cette touche pour accéder à l'information d'aide pour chaque fonction du four. Pour d'autres informations, voir page 35.
- 20. STOP/CLEAR (ARRÊT/EFFACEMENT) :** Appuyer sur cette touche pour arrêter le four ou effacer toute l'information entrée.
- 21. START (MISE EN MARCHÉ) :** Appuyer sur cette touche pour commander l'exécution d'une fonction. Si on ouvre la porte du four après le déclenchement d'une cuisson, appuyer de nouveau sur START pour reprendre la cuisson.
- 22. POWER LEVEL (NIVEAU DE PUISSANCE) :** Appuyer sur cette touche pour sélectionner le niveau de puissance de chauffage.
- 23. COOKING PROGRAM (PROGRAMME DE CUISSON) :** Appuyer sur cette touche pour définir une durée de cuisson.
- 24. HOLD WARM (MAINTIEN EN TEMPÉRATURE) :** Appuyer sur cette touche pour maintenir la température d'un mets cuit dans le four à micro-ondes, pendant une période qui peut atteindre 99 minutes 99 secondes. Pour d'autres informations, voir page 36.
- 25. CONTROL SET-UP (SÉLECTION DES PARAMÈTRES) :** Appuyer sur cette touche pour modifier les paramètres de programmation utilisés par le four pour signaux sonores, horloge, vitesse d'affichage et poids pour décongélation. Pour d'autres informations, voir page 35.
- 26. TURNTABLE ON/OFF (PLATEAU TOURNANT – MARCHÉ/ARRÊT) :** Appuyer sur cette touche pour commander l'arrêt du plateau tournant. Le symbole OFF (ARRÊT) apparaît sur l'afficheur. Pour d'autres informations, voir page 35.

**REMARQUE :** Cette option n'est pas disponible pour les modes de décongélation et cuisson commandée par le circuit du capteur.

**27. FAN HI-LOW-OFF (VENTILATEUR – HAUT-BAS-ARRÊT) :** Appuyer sur cette touche pour commander la mise en marche ou l'arrêt du ventilateur. Pour d'autres informations, voir page 35.

**28. LIGHT HI-LOW-OFF (LAMPE – JOUR-NUIT-ARRÊT) :** Appuyer sur cette touche pour commander l'allumage ou l'extinction de la lampe d'éclairage. Pour d'autres informations, voir page 36.

## LE FOUR À MICRO-ONDES

On décrit dans cette section les principes de fonctionnement du four à micro-ondes et les connaissances de base qui permettront de l'utiliser. Lire cette information avant d'utiliser le four.

### ATTENTION

- > Pour éviter tout risque de dommages matériels ou corporels, ne pas faire fonctionner le four sans avoir placé un aliment dans la cavité.
- > Pour éviter tout risque de dommages matériels ou corporels, ne pas placer dans le four des articles comme les suivants : vaisselle ou ustensile de grès, feuilles d'aluminium, ustensile métallique ou ustensile avec garniture métallique.

## HELP (AIDE)

La touche HELP (AIDE) commande l'affichage d'informations sur les diverses fonctions et de conseils utiles. Appuyer sur la touche HELP, puis sélectionner une touche.

**Exemple : Pour accéder à l'information d'aide pour la fonction POPCORN.**

Help

1. Appuyer sur la touche **HELP**.

Popcorn

2. Appuyer sur la touche **POPCORN**.

## CLOCK (HORLOGE)

L'appareil est doté d'une horloge (format 24 heures).

**Exemple : Pour régler l'horloge pour 8 h 00.**

Clock

1. Appuyer sur la touche **CLOCK** (Appuyer 1 fois pour 0-12 heures; appuyer 2 fois pour 12-24 heures).

8 0 0

2. Entrer l'heure exacte à l'aide des touches numériques.

Clock

3. Appuyer sur la touche **CLOCK** (ou **START**).

## KITCHEN TIMER (MINUTERIE)

On peut utiliser l'horloge du four à micro-ondes comme minuterie, pour le décompte d'une période qui peut atteindre 99 minutes, 99 secondes.

**Exemple : Réglage pour une période de décompte de 3 minutes.**

Kitchen  
Timer

3 0 0

Start

1. Appuyer sur la touche **KITCHEN TIMER**.
2. Entrer la durée de décompte à l'aide des touches numériques.
3. Appuyer sur la touche **START**. Lorsque la période de décompte est écoulée, l'appareil émet quatre signaux sonores et affiche le symbole **END (FIN)**.

## CONTROL SET-UP (SÉLECTION DES PARAMÈTRES)

Il est possible de modifier les paramètres utilisés par le four pour signaux sonores, horloge, vitesse d'affichage et poids de décongélation.

Voir le tableau qui suit.

Touche	Fonction	No.	Résultat
1	Signal sonore - ACTIF/INACTIF	1 2	ACTIF INACTIF
2	Affichage de l'horloge	1 2	ACTIF INACTIF
3	Affichage	1 2 3	Lente Normale Rapide
4	Poids pour décongélation	1 2	lb kg

**Exemple : Pour permuter le mode de sélection du poids pour la décongélation (entre lb et kg).**

Control  
Set-up

4

2

1. Appuyer sur la touche **CONTROL SET-UP**.
2. Appuyer sur la touche **4**.
3. Appuyer sur la touche **2**.

## FAN HI-LOW-OFF (VENTILATEUR – HAUT BAS ARRÊT)

Fan

Le VENTILATEUR per-Hi-Low-Off met d'évacuer la vapeur d'eau et d'autres vapeurs émises par les aliments sur la table de cuisson. Appuyer une fois sur la touche FAN pour sélectionner la haute vitesse; appuyer une seconde fois sur la touche pour sélectionner la basse vitesse; appuyer une troisième fois sur la touche pour commander l'arrêt du ventilateur.

**REMARQUE :** Si la température augmente excessivement autour du four à micro-ondes, le ventilateur de la hotte d'extraction se met en marche automatiquement (à la BASSE vitesse) pour le refroidissement du four. Le ventilateur peut ainsi fonctionner pendant une période d'une heure. Lorsque ceci se produit, **on ne peut commander l'arrêt du ventilateur.**

## TURNTABLE ON/OFF (COMMANDE MARCHE/ ARRÊT DU PLATEAU TOURNANT)

Turntable  
On/Off

Pour obtenir les meilleurs résultats de cuisson, laisser le plateau tournant fonctionner en permanence. On peut commander l'arrêt du plateau tournant pour la cuisson d'une grande quantité d'aliments.

Appuyer sur la touche TURNTABLE ON/OFF pour commander la mise en marche ou l'arrêt du plateau tournant.

**REMARQUE :**

- Cette option n'est pas disponible pour les modes de décongélation et de cuisson commandée par le circuit du capteur.

# Utilisation (suite)

- Le plateau tournant peut parfois s'échauffer considérablement. On doit être prudent s'il est nécessaire de toucher le plateau tournant durant ou après la cuisson.
- Ne pas faire fonctionner le four sans y avoir placé des aliments.

## VERROUILLAGE POUR LES ENFANTS

Il est possible de désactiver le tableau de commande pour empêcher la mise en marche du four à micro-ondes, accidentellement ou par des enfants.

La fonction de verrouillage est également utile lorsqu'on doit nettoyer le tableau de commande; ceci empêche l'entrée accidentelle de commandes durant le nettoyage.

**Exemple : Verrouillage du tableau de commande.**

Stop  
Clear

0

1. Appuyer sur la touche **STOP/CLEAR**.
2. Maintenir la pression sur la touche **0** pendant 4 secondes ou plus. Le message **LOCKED (VERROUILLÉ)** apparaît sur l'afficheur et l'appareil émet 2 signaux sonores.

**Exemple : Déverrouillage du tableau de commande.**

0

1. Maintenir la pression sur la touche **0** pendant 4 secondes ou plus. Le message **LOCKED (VERROUILLÉ)** apparaît sur l'afficheur et l'appareil émet 2 signaux sonores.

## LIGHT HI-LOW-OFF (LAMPE - JOUR NUIT ARRÊT)

**Light Hi-Low-Off** Appuyer une fois sur la touche **LIGHT** pour commander l'allumage avec l'intensité maximale; appuyer une seconde fois sur la touche pour passer à l'intensité d'illumination nocturne; appuyer une troisième fois pour commander l'extinction.

## LIGHT TIMER (MINUTERIE LAMPE)

On peut programmer l'appareil pour que la lampe d'éclairage s'allume et s'éteigne automatiquement à l'heure choisie. La lampe s'allumera ensuite à la même heure chaque heure, jusqu'à une modification de la programmation.

**Exemple : Allumage à 2 h 00, extinction à 7 h 00.**

Light  
Timer

2 0 0

Light  
Timer

7 0 0

Start

1. Appuyer sur la touche **LIGHT TIMER (MINUTERIE LAMPE)** (appuyer 1 fois pour 0-12 heures; appuyer 2 fois pour 12-24 heures).
2. Entrer l'heure d'ALLUMAGE désirée.
3. Appuyer de nouveau sur la touche **LIGHT TIMER (MINUTERIE LAMPE)** (appuyer 1 fois pour 0-12 heures; appuyer 2 fois pour 12-24 heures).
4. Entrer l'heure d'extinction désirée.
5. Appuyer sur la touche **START**.

**REMARQUE :**

- Pour modifier la programmation de la minuterie lampe, répéter les étapes 1 à 5.

**Exemple : Désactivation de la minuterie lampe.**

Light  
Timer

Stop  
Clear

1. Appuyer sur la touche **LIGHT TIMER (MINUTERIE LAMPE)**.
2. Appuyer sur la touche **STOP/CLEAR**.

**REMARQUE :**

- Pour désactiver la minuterie lampe alors qu'elle est programmée, appuyer sur la touche

Light  
Hi-Low-Off

## + 30 SEC. (ADDITION 30 SECONDES)

Cette touche de commande rapide permet de commander la mise en marche du four à

micro-ondes sans qu'il soit nécessaire d'appuyer sur la touche **START**.

**Exemple : Sélection d'une période de chauffage de 2 minutes avec la touche + 30 SEC.**

+ 30  
Sec:

1. Appuyer 4 fois sur la touche **+ 30 SEC**. Le four se met en marche et affiche le décompte de la durée de cuisson.

**REMARQUE :**

- Initialement, chaque pression sur la touche **+ 30 SEC** ajoute 30 secondes de durée de cuisson, jusqu'à un maximum de 3 minutes. Après 3 minutes, chaque pression sur la touche ajoute 1 minute à la durée de cuisson, jusqu'à un maximum de 99 minutes 59 secondes.

## HOLD WARM (MAINTIEN DE LA TEMPÉRATURE)

Il est possible de maintenir la température d'un mets cuit dans le four, pendant une période qui peut atteindre 99 minutes, 99 secondes. On peut utiliser la fonction de maintien (touche **HOLD WARM**) indépendamment, ou automatiquement après l'exécution d'un programme de cuisson.

**Exemple : Utilisation de la fonction de maintien de la température**

Hold  
Warm

Start

1. Appuyer sur la touche **HOLD WARM**.
2. Appuyer sur la touche **START**.

**REMARQUES :**

- La durée de la période de maintien en température (touche **HOLD WARM**) peut atteindre 99 minutes 99 secondes.
- Durant la période de maintien en température, maintenir couvert un **mets qui a été cuit couvert**.
- Ne pas couvrir un **article de pâtisserie** (tarte, chausson, etc.) durant son maintien en température.
- Un repas complet qu'on maintient au chaud sur une assiette peut être couvert durant la période de maintien de la température.

Type d'aliment	Quantité recommandée
Liquide	1 à 2 tasses (237 à 473 mL)
Sec	5-10 onces (177 ml à 296 mL)

**Pour activer automatiquement la fonction de maintien de la température après l'exécution d'un autre programme de cuisson :**

- Durant la programmation des instructions de cuisson, appuyer sur la touche HOLD WARM avant d'appuyer sur la touche START (MISE EN MARCHÉ).
- Après l'exécution de la dernière opération du programme de cuisson, l'appareil émet deux signaux sonores, et le message WARM (CHAUD) apparaît sur l'afficheur.
- On peut commander une période de HOLD WARM (MAINTIEN DE LA TEMPÉRATURE) après une période de (AUTO DEFROST) DÉCONGÉLATION AUTOMATIQUE ou après un programme de cuisson en plusieurs phases.

## CUSTOM RECIPE (RECETTE PERSONNELLE)

Cette touche permet de déclencher immédiatement un programme de cuisson dont les instructions ont été antérieurement programmées et mémorisées.

**Exemple : Période de cuisson de 2 minutes.**

Custom  
Recipe

2 0 0

Start

1. Appuyer sur la touche **CUSTOM RECIPE**.
2. Entrer une durée de cuisson.
3. Appuyer sur la touche **START**.

**Exemple : Rappel du programme personnalisé.**

Custom  
Recipe

Start

1. Appuyer sur la touche **CUSTOM RECIPE**.
2. Appuyer sur la touche **START**. Lorsque la durée de cuisson est écoulée, l'appareil émet quatre signaux sonores et affiche **END (FIN)**.

## MORE/LESS (PLUS/MOINS)

Les touches MORE (PLUS) et LESS (MOINS) permettent de modifier la durée de cuisson pour une opération de cuisson préprogrammée ou pour une période de cuisson minutée.

Chaque pression sur la touche MORE ajoute 10 secondes à la durée de cuisson. Chaque pression sur la touche LESS réduit la durée de cuisson de 10 secondes.

## CUISSON AUX NIVEAUX DE PUISSANCE ÉLEVÉS

**Exemple : Période de cuisson de 8 minutes 30 secondes au niveau de puissance 100 %.**

8 3 0

Start

1. Entrer la durée de cuisson.
2. Appuyer sur la touche **START**. Lorsque la durée de cuisson est écoulée, l'appareil émet quatre signaux sonores et affiche **END (FIN)**.

## CUISSON AUX NIVEAUX DE PUISSANCE INFÉRIEURS

L'emploi de la puissance de chauffage HIGH (ÉLEVÉE) ne produit pas toujours les meilleurs résultats avec les aliments qui nécessitent une cuisson lente, comme rôti, mets à cuire au four ou entremets. En plus de la puissance élevée, le four offre un choix de 10 niveaux de puissance de chauffage.

**Exemple : Période de cuisson de 7 minutes 30 secondes, au niveau de puissance 70 %.**

7 3 0

Power  
Level

7

1. Entrer la durée de cuisson.
2. Appuyer sur la touche **POWER LEVEL (NIVEAU DE PUISSANCE)**.
3. Entrer le niveau de la puissance de chauffage.

Start

4. Appuyer sur la touche **START**. Lorsque la durée de cuisson est écoulée, l'appareil émet quatre signaux sonores et affiche **END (FIN)**.

Pour le choix des niveaux de puissance, voir le guide de cuisson à la page 38.

## PROGRAMME DE CUISSON À PLUSIEURS PHASES

Pour l'obtention des meilleurs résultats, certaines recettes stipulent l'emploi d'un niveau de puissance de chauffage pendant une certaine période, puis d'un autre niveau de puissance de chauffage durant une autre période. On peut programmer le four pour qu'il exécute successivement jusqu'à trois périodes de chauffage; la première période peut être une opération de décongélation, et on peut aussi choisir le niveau de puissance 0 % pour la troisième période.

**Exemple : Cuisson d'un mets pendant 3 minutes au niveau de puissance 100 %, puis durant 7 minutes 30 secondes au niveau de puissance 70 %.**

3 0 0

Cooking  
Program

7 3 0

Power  
Level

7

Start

1. Entrer la durée de cuisson.
2. Appuyer sur la touche **COOKING PROGRAM**.
3. Entrer la durée de cuisson pour la seconde période.
4. Appuyer sur la touche **POWER LEVEL**.
5. Entrer le niveau de puissance de chauffage pour la seconde période.
6. Appuyer sur la touche **START**. Lorsque la durée de cuisson est écoulée, l'appareil émet quatre signaux sonores et affiche **END (FIN)**.

# Utilisation (suite)

## GUIDE DE CUISSON – NIVEAUX DE PUISSANCE RÉDUITS

L'appareil offre un choix de 10 niveaux de puissance de chauffage en plus de la puissance HIGH (ÉLEVÉE); on peut ainsi choisir le niveau de puissance de chauffage le plus approprié pour l'aliment à cuire. Le tableau ci-dessous permet de choisir le niveau de puissance de chauffage approprié pour divers aliments.

NIVEAU DE PUISSANCE	PUISSANCE DE ÉNERGÉTIQUE DU FOUR	UTILISATION
10 (Puissance élevée)	100%	<ul style="list-style-type: none"><li>• Ébullition d'eau</li><li>• Cuisson de bœuf haché</li><li>• Préparation de bonbons/confiserie</li><li>• Cuisson de légumes et fruits frais</li><li>• Cuisson de poisson ou volaille</li><li>• Préchauffage d'un plat de brunissage</li><li>• Préchauffage de liquide</li><li>• Tranches de bacon</li></ul>
9	90%	<ul style="list-style-type: none"><li>• Réchauffage rapide de tranches de viande</li><li>• Cuisson d'oignons, de céleri et poivrons verts (sautés)</li></ul>
8	80%	<ul style="list-style-type: none"><li>• Réchauffage</li><li>• Cuisson d'œufs brouillés</li></ul>
7	70%	<ul style="list-style-type: none"><li>• Cuisson de pain et produits de céréales</li><li>• Cuisson de mets à base de fromage ou veau</li><li>• Cuisson de gâteau, muffins, biscuits, etc.</li></ul>
6	60%	<ul style="list-style-type: none"><li>• Cuisson de pâtes</li></ul>
5	50%	<ul style="list-style-type: none"><li>• Cuisson de viande, volaille entière</li><li>• Cuisson d'entremets</li><li>• Cuisson de poulet entier, dinde, côte de porc, rôti de côtes, rôti de longe</li></ul>
4	40%	<ul style="list-style-type: none"><li>• Toute cuisson de pièces de viande moins tendres</li><li>• Réchauffage de mets préparé surgelé</li></ul>
3	30%	<ul style="list-style-type: none"><li>• Décongélation de viande, volaille et produits de la mer</li><li>• Cuisson d'une petite quantité d'aliments</li><li>• Fin de cuisson pour mets en sauce, ragoûts et certaines sauces</li></ul>
2	20%	<ul style="list-style-type: none"><li>• Amollissement de beurre et fromage en crème</li><li>• Chauffage d'une petite quantité d'aliments</li></ul>
1	10%	<ul style="list-style-type: none"><li>• Amollissement de crème glacée</li><li>• Levée de pâte à pain (avec levure)</li></ul>
0		<ul style="list-style-type: none"><li>• Période d'attente</li></ul>

## CUISSON CONTRÔLÉE PAR LE CIRCUIT DU CAPTEUR

La fonction de contrôle de la cuisson par le circuit du capteur permet de commander la cuisson d'un mets favori sans devoir sélectionner une durée de cuisson et une puissance de chauffage. L'appareil affichera le message SENSING (CAPTEUR) durant la période de détection initiale. Le four à micro-ondes détermine automatiquement la durée de cuisson nécessaire pour chaque mets ou aliment. Lorsque le capteur interne détecte une certaine quantité d'humidité émise par l'aliment, il détermine la durée résiduelle de la cuisson; l'afficheur présentera alors le temps de cuisson résiduel. Observer la recommandation suivante pour obtenir les meilleurs résultats pour une cuisson contrôlée par le circuit du capteur :

1. Entreprendre la cuisson sur des aliments qui se trouvent à une température de conservation normale.
2. Veiller à ce que le plateau tournant en verre et la surface extérieure du récipient soient secs.
3. Recouvrir les aliments avec un couvercle, du papier paraffiné ou une feuille de plastique (pour four à micro-ondes).
4. Ne pas ouvrir la porte du four ni appuyer sur la touche STOP/CLEAR durant la période de détection. Lorsque la période de détection est écoulée, le four émet deux signaux sonores, et la durée de cuisson résiduelle apparaît sur l'afficheur. À partir de ce moment on peut ouvrir la porte du four pour remuer ou retourner les aliments ou pour modifier leur répartition.

## GUIDE DE CUISSON AVEC CAPTEUR

Pour obtenir les meilleurs résultats lors d'une cuisson contrôlée par le circuit du capteur, employer les récipients appropriés et recouvrir les aliments.

1. Utiliser toujours un récipient pour four à micro-ondes et recouvrir avec un couvercle ou une feuille de plastique (laisser un évent).

2. Ne placer jamais un couvercle ou film de plastique étanche sur un récipient; ceci empêcherait l'évacuation de la vapeur et peut provoquer une cuisson excessive.
3. Adapter la quantité à la taille du récipient. Pour obtenir les meilleurs résultats, remplir un récipient à 50 % ou plus.
4. Avant de placer les aliments dans le four, vérifier que les surfaces internes du four et les surfaces externes du récipient sont sèches. La transformation en vapeur des résidus d'eau peut provoquer une détection incorrecte par le capteur.

## AUGMENTATION/DIMINUTION DE LA DURÉE DE CUISSON

Si la durée de cuisson indiquée par la fonction de cuisson avec capteur est trop longue ou trop courte, on peut la faire varier de 10 % dans un sens ou dans l'autre, mais seulement avec le déclenchement de la cuisson.

**Exemple : Si on souhaite modifier la durée de cuisson avec capteur pour un mets en sauce.**

### Sensor Cook

2

9

1. Appuyer sur la touche **SENSOR COOK**.
2. Sélectionner la catégorie d'aliments.
3. Appuyer sur la touche **9**.

Durée de Cuisson	Touche
Less (Moins)	7
Normal (Normale)	8
More (Plus)	9

## POPCORN (MAÏS À ÉCLATER)

La fonction POPCORN (MAÏS À ÉCLATER) permet de faire éclater au four à micro-ondes les grains de maïs des sachets commerciaux de 1,75, 3,0 et 3,5 onces (50, 85 et 99 g). Exécuter le processus sur un seul sachet à la fois. Dans le cas de l'emploi d'un dispositif spécial pour éclatement de maïs au four à micro-ondes, observer les instructions du fabricant.

### Popcorn

1. Appuyer sur la touche **POPCORN**.

Lorsque la durée de chauffage est écoulée, l'appareil émet quatre signaux sonores et affiche le message **END (FIN)**.

- Quantité recommandée : 1,75 à 3,5 onces (50 à 99 g)

### ATTENTION

NE PAS laisser le four à micro-ondes sans surveillance durant une opération d'éclatement de maïs.

## PIZZA

La fonction Pizza permet de réchauffer une ou plusieurs parts de pizza sans devoir d'abord sélectionner une durée de cuisson et une puissance de chauffage.

**Exemple : Réchauffage de 2 parts de pizza.**

### Pizza

1. Appuyer sur la touche **PIZZA**.

Lorsque la durée de chauffage est écoulée, l'appareil émet quatre signaux sonores et affiche le message **END (FIN)**.

- Quantité recommandée : 1-3 parts (environ 5 onces (142 g) par part)

# Utilisation (suite)

## POTATO (POMME DE TERRE)

La fonction POTATO (Pomme de terre) permet de faire cuire une ou plusieurs pommes de terre sans devoir sélectionner d'abord la durée de cuisson et la puissance de chauffage.

### REMARQUE :

- Avant la cuisson, perforer plusieurs fois la peau des pommes de terre avec une fourchette.
- Après la cuisson, ajouter une période d'attente de 5 minutes..

**Exemple : Cuisson de 2 pommes de terre.**

### Potato

1. Appuyer sur la touche **POTATO**.

Lorsque la durée de chauffage est écoulée, l'appareil émet quatre signaux sonores et affiche le message **END (FIN)**.

- Quantité recommandée : 1-4 pommes de terre (environ 9-11 onces (255 à 312 g) par pomme de terre)

## SENSOR VEGETABLE (LÉGUME PAR CAPTEUR)

La fonction SENSOR VEGETABLE (Légumes par capteur) comporte des préreglages de puissance pour 3 catégories d'aliments : **Fresh (frais)**, **Frozen (surgelés)** et **Canned (boîte)**.

**Exemple : Cuisson de légumes surgelés.**

### Sensor Vegetable

2

1. Appuyer sur la touche **SENSOR VEGETABLE**.
2. Choisir la catégorie d'aliments.

Catégorie	Touche
Fresh (Frais)	1
Frozen (Surgelé)	2
Canned (Boîte)	3

Lorsque la durée de chauffage est écoulée, l'appareil émet quatre signaux sonores et affiche le message **END (FIN)**.

**REMARQUE :** Placer le contenu d'une boîte de légumes dans un récipient pour four à micro-ondes. Recouvrir avec une feuille de plastique et laisser un évent. Ajouter une période d'attente de 5 minutes.

- Quantité recommandée : 1-4 tasses
- Laisser un évent de 1/4 à 1/2 po (0,6 à 1,3 cm) sous le couvercle.

## SENSOR COOK (CUISSON PAR CAPTEUR)

La fonction SENSOR COOK (Cuisson par capteur) permet de commander une cuisson aux micro-ondes sans devoir sélectionner d'abord la durée de cuisson et la puissance de chauffage. La fonction SENSOR COOK est associée à des puissances de chauffage présélectionnées pour 3 catégories d'aliments : **Frozen Entree (mets surgelé)**, **Casserole (mets en sauce)** et **Rice (riz)**.

**Exemple : Cuisson de riz.**

### Sensor Cook

3

1. Appuyer sur la touche **SENSOR COOK**.
2. Choisir la catégorie d'aliments.

Catégorie	Touche
Frozen Entree (Mets surgelé)	1
Casserole (Mets en sauce)	2
Rice (Riz)	3

Lorsque la durée de chauffage est écoulée, l'appareil émet quatre signaux sonores et affiche le message **END (FIN)**.

- Quantités recommandées :

Frozen Entree (Mets surgelé)	10-21 onces (283 à 595 g)
Casserole (Mets en sauce)	1-4 tasses (237 à 946 mL)
Rice (Riz)	1/2-2 tasses (118 à 473 mL)

**REMARQUE :** Utiliser uniquement du riz à grains longs pour une cuisson contrôlée par le circuit du capteur; pour les autres types de riz, voir page 50.



## SENSOR REHEAT (RÉCHAUFFAGE PAR CAPTEUR)

la touche **SENSOR REHEAT** (Réchauffage par capteur) permet de commander le chauffage d'un aliment sans devoir d'abord sélectionner la durée de chauffage et la puissance de chauffage.

La fonction **SENSOR REHEAT** est associée à des puissances de chauffage présélectionnées pour 3 catégories d'aliments : **Casserole (mets en sauce)**, **Dinner Plate (assiette de dîner)** et **Soup/Sauce (soupe/sauce)**.

### Sensor Reheat

1

- Appuyer sur la touche **SENSOR REHEAT**.
- Sélectionner la catégorie d'aliments.

Catégorie	Touche
Casserole (Mets en sauce)	1
Dinner Plate (Assiette de dîner)	2
Soup/Sauce Soupe/sauce	3

Lorsque la durée de chauffage est écoulée, l'appareil émet quatre signaux sonores et affiche le message **END (FIN)**.

- Quantités recommandées :

Casserole (Mets en sauce)	1-4 tasses (237 à 946 mL)
Dinner Plate (Assiette de dîner)	1-2 portions
Soup/Sauce (Soupe/sauce)	1-4 tasses (237 à 946 mL)

## AUTO DEFROST (DÉCONGÉLATION AUTOMATIQUE)

Le four à micro-ondes est préprogrammé pour trois programmes de décongélation. L'emploi de la fonction de **AUTO DEFROST (DÉCONGÉLATION AUTOMATIQUE)** offre la meilleure méthode pour la décongélation des produits surgelés. On trouve dans le tableau de décongélation ci-dessous les règles de base pour la sélection des trois programmes de décongélation.

Voir aux pages 43 à 44 les directives de décongélation automatique.

**Exemple : Décongélation de 1,2 lb (0,54 kg) de bœuf haché.**

### Auto Defrost

1

- Appuyer sur la touche **AUTO DEFROST**.
- Choisir la catégorie d'aliments.

Catégorie	Touche
Meat (Viande)	1
Poultry (Volaille)	2
Fish (Poisson)	3

### 1 2 Start

- Entrer le poids.
- Appuyer sur la touche **START**.

**REMARQUE :** Lorsqu'on appuie sur la touche **START**, l'afficheur présente le décompte du temps de décongélation. L'appareil émettra un signal sonore durant la période de **DEFROST (DÉCONGÉLATION)**; à ce moment, ouvrir la porte du four et retourner les aliments, séparer les morceaux ou modifier leur répartition. Retirer tout morceau qui est complètement décongelé. Le four ne **CESSERA** pas de fonctionner au moment de l'émission du signal sonore, sauf si on ouvre la porte du four.

### Start

- Fermer la porte du four et remettre le four en marche.

Lorsque la période de décongélation est écoulée, l'appareil émet quatre signaux sonores et affiche le message **END (FIN)**.

**REMARQUE :** Si on n'ouvre pas la porte du four, le décompte de la durée de décongélation se poursuit sur l'afficheur.

# Utilisation (suite)

## TABLEAU DE CONVERSION DES POIDS

Pour la fonction de AUTO DEFROST (DÉCONGÉLATION AUTOMATIQUE), on doit spécifier le poids en livres et dixièmes de livre. Si le poids est indiqué sur le paquet en fractions de livre, on peut utiliser le tableau ci-dessous pour effectuer la conversion en valeur décimale.

Poids en onces	Poids en livres
1.6 ± 1,6	0,1
3.2 ± 3,2	0,2
4.0 ± 4,0	0,25 Un quart de livre
4.8 ± 4,8	0,3
6.4 ± 6,4	0,4
8.0 ± 8,0	0,5 Une demi-livre
9.6 ± 9,6	0,6
11.2 ± 11,2	0,7
12.0 ± 12,0	0,75 Trois quarts de livre
12.8 ± 12,8	0,8
14.4 ± 14,4	0,9
16.0 ± 16,0	1,0 Une livre

## CONSEILS POUR LA DÉCONGÉLATION

- Pour l'utilisation de la fonction de AUTO DEFROST (DÉCONGÉLATION AUTOMATIQUE), on doit entrer le poids net de l'aliment en livres et dixièmes de livres (le poids du récipient plein moins le poids du récipient vide).
- Utiliser la fonction de AUTO DEFROST uniquement pour un aliment cru. La fonction de AUTO DEFROST produit les meilleurs résultats lorsque l'aliment à décongeler sort du congélateur (température de 0 °F [-18 °C]). Si l'aliment a été conservé dans le compartiment de congélation d'un réfrigérateur, qui ne maintient pas une température de 5 °F (-15 °C) ou moins, on doit toujours programmer un poids inférieur (correspondant à une durée de décongélation plus courte) pour éviter une cuisson partielle de l'aliment.
- Si l'aliment a été conservé hors du congélateur pendant quelque temps (jusqu'à 20 minutes), entrer un poids inférieur.
- La forme du paquet a une influence sur la durée de décongélation. Un paquet peu épais se décongèle plus rapidement qu'un bloc épais.
- Séparer les morceaux après le début de la décongélation. Les morceaux séparés se congèlent plus facilement.
- On peut utiliser de petits morceaux de feuille d'aluminium pour protéger certaines parties d'un aliment (ailes et extrémité des pattes de poulet, queue de poisson) mais on doit veiller à ce qu'aucun morceau d'aluminium n'entre en contact avec une paroi du four; ceci pourrait provoquer la formation d'arcs/étincelles qui détérioreraient la surface interne du four.
- Protéger avec des morceaux de feuille d'aluminium les parties d'un aliment ou mets qui s'échauffent plus rapidement.
- Pour la production des meilleurs résultats, la durée de décongélation sélectionnée par le four inclut une période d'attente prédéfinie.
- Pour l'obtention des meilleurs résultats, placer un aliment à décongeler sur une grille de rôtissage aux micro-ondes; ceci évitera que les jus de viande chauffés durant la décongélation provoquent une cuisson partielle de l'aliment.

## DÉCONGÉLATION AUTOMATIQUE – TABLEAU DE SÉLECTION

### Réglage pour Meat (Viande)

ALIMENT	RÉGLAGE	LORS DE L'ÉMISSION d'UN SIGNAL SONORE	INSTRUCTIONS SPÉCIALES
<b>BOEUF</b>			
Bœuf hache – vrac	MEAT (VIANDE)	Retirer les morceaux décongelés avec une fourchette. Retourner. Remettre le reste au four.	Pour une pièce de viande de forme irrégulière ou de grande taille, ou qui comporte beaucoup de graisse, protéger les zones de graisse avec de la feuille d'aluminium avant d'entreprendre la décongélation. Ne pas décongeler un paquet de moins de 1/4 lb (0,1 kg). Congeler en forme de beignet/donut.
Bœuf haché – steakes	MEAT	Séparer et modifier la répartition.	Ne pas décongeler moins que des steakes de 2 onces (57 g). Appuyer sur la zone centrale avant la congélation.
Steak de ronde	MEAT	Retourner. Protéger les zones échauffées avec de la feuille d'aluminium.	Placer sur une grille de rôtissage pour micro-ondes.
Steak – filet	MEAT	Retourner. Protéger les zones échauffées avec de la feuille d'aluminium.	Placer sur une grille de rôtissage pour micro-ondes.
Bœuf à ragoût	MEAT	Retirer les morceaux décongelés avec une fourchette. Retourner. Remettre le reste au four.	Placer dans un plat pour cuisson aux micro-ondes.
Pot au feu; rôti de palette	MEAT	Retourner. Protéger les zones échauffées avec de la feuille d'aluminium.	Placer sur une grille de rôtissage pour micro-ondes.
Rôti de côtes	MEAT	Retourner. Protéger les zones échauffées avec de la feuille d'aluminium.	Placer sur une grille de rôtissage pour micro-ondes.
Rôti de croupe roulé	MEAT	Retourner. Protéger les zones échauffées avec de la feuille d'aluminium.	Placer sur une grille de rôtissage pour micro-ondes.
<b>AGNEAU</b>			
Cubes à ragoût	MEAT	Retirer les morceaux décongelés avec une fourchette. Retourner. Remettre le reste au four.	Placer dans un plat pour cuisson aux micro-ondes.
Côtelettes (épaisseur 1 po [2,5 cm])	MEAT	Séparer et modifier la répartition.	Placer sur une grille de rôtissage pour micro-ondes.
<b>PORC</b>			
Côtelettes (épaisseur 1/2 po [1,3cm])	MEAT	Séparer et modifier la répartition.	Placer sur une grille de rôtissage pour micro-ondes.
Hot Dogs	MEAT	Séparer et modifier la répartition.	Placer sur une grille de rôtissage pour micro-ondes.
Côtes levées/ Travers de porc Longe, partie des côtes	MEAT	Retourner. Protéger les zones échauffées avec de la feuille d'aluminium.	Placer sur une grille de rôtissage pour micro-ondes.
Saucisses	MEAT	Séparer et modifier la répartition.	Placer sur une grille de rôtissage pour micro-ondes.
Viande à saucisses – vrac	MEAT	Retirer les morceaux décongelés avec une fourchette. Retourner. Remettre le reste au four.	Placer dans un plat pour cuisson aux micro-ondes.
Rôti – sans os	MEAT	Retourner. Protéger les zones échauffées avec de la feuille d'aluminium.	Placer sur une grille de rôtissage pour micro-ondes.

# Utilisation (suite)

## DÉCONGÉLATION AUTOMATIQUE – TABLEAU DE SÉLECTION, (suite)

### Réglage pour Poultry (Volaille)

ALIMENT	RÉGLAGE	LORS DE L'ÉMISSION D'UN SIGNAL SONORE	INSTRUCTIONS SPÉCIALES
<b>POULET</b>			
Entier (jusqu'à 6 lb [2,7 kg])	POULTRY (VOLAILLE)	Retourner (orienter la poitrine vers le bas pour le reste de la décongélation). Recouvrir les zones réchauffées avec de la feuille d'aluminium.	Placer le poulet, poitrine vers le haut, sur une grille de rôtissage pour four à micro-ondes. Pour terminer la décongélation, immerger dans de l'eau froide. Retirer les abats lorsque le poulet est partiellement décongelé.
Coupé en morceaux	POULTRY	Séparer les morceaux et modifier leur répartition. Retourner. Protéger les zones échauffées avec de la feuille d'aluminium.	Placer sur une grille de rôtissage pour micro-ondes. Pour terminer la décongélation, immerger dans de l'eau froide.
<b>POULETTES DE CORNOUILLES</b>			
Entières	POULTRY	Retourner. Protéger les zones échauffées avec de la feuille d'aluminium.	Placer sur une grille de rôtissage pour micro-ondes. Pour terminer la décongélation, immerger dans de l'eau froide.
<b>DINDE</b>			
Morceaux de poitrine (moins de 6 lb [2,7 kg])	POULTRY	Retourner. Protéger les zones échauffées avec de la feuille d'aluminium.	Placer sur une grille de rôtissage pour micro-ondes. Pour terminer la décongélation, immerger dans de l'eau froide.

### Réglage pour Fish (Poisson)

ALIMENT	RÉGLAGE	LORS DE L'ÉMISSION D'UN SIGNAL SONORE	INSTRUCTIONS SPÉCIALES
<b>POISSON</b>			
Filets	FISH (POISSON)	Retourner. Si possible, séparer les filets partiellement décongelés.	Placer dans un plat pour cuisson aux micro-ondes. Séparer prudemment les filets sous un robinet d'eau froide.
Darnes	FISH	Séparer les morceaux et modifier la répartition.	Placer dans un plat pour cuisson aux micro-ondes. Pour terminer la décongélation, faire couler de l'eau froide sur les aliments.
Poisson entier	FISH	Retourner.	Placer dans un plat pour cuisson aux micro-ondes. Recouvrir la tête et la queue avec de la feuille d'aluminium. Ne pas laisser la feuille d'aluminium toucher les parois du four. Terminer la décongélation par immersion dans de l'eau froide.
<b>CRUSTACÉS</b>			
Chair de crabe	FISH	Séparer les morceaux; retourner.	Placer dans un plat pour cuisson aux micro-ondes.
Queues de homard	FISH	Retourner et modifier la répartition.	Placer dans un plat pour cuisson aux micro-ondes.
Crevettes	FISH	Séparer les morceaux et modifier la répartition.	Placer dans un plat pour cuisson aux micro-ondes.
Pétoncles	FISH	Séparer les morceaux et modifier la répartition.	Placer dans un plat pour cuisson aux micro-ondes.

**REMARQUE :** Le poids de l'aliment à décongeler ne doit pas dépasser 6 lb (2,7 kg).  
On peut entrer un poids de 0,1 à 6 lb (45 g à 2,7 kg).

## TIME DEFROST (DÉCONGÉLATION MINUTÉE)

Cette fonction permet à l'utilisateur de choisir la durée de décongélation désirée.

**Exemple : Période de décongélation de 2 minutes.**

Time  
Defrost  
2 0 0

1. Appuyer sur la touche **TIME DEFROST**.
2. Entrer la durée de décongélation désirée.

Start

3. Appuyer sur la touche **START** (la période de décongélation débute). Lorsque la durée de décongélation est écoulée, l'appareil émet quatre signaux sonores et affiche un message **END (FIN)**.

## RAPID DEFROST 1 lb. (DÉCONGÉLATION RAPIDE 1 lb [0,45 kg])

La fonction de RAPID DEFROST (DÉCONGÉLATION RAPIDE 1 lb [0,45 kg]) permet de commander une période de décongélation rapide pour 1 lb (0,45 kg) d'aliments surgelés. Le four sélectionne automatiquement la durée de décongélation pour le bœuf haché.

**Exemple : Décongélation de 1 lb (0,45 kg) de bœuf haché.**

Rapid  
Defrost

1 lb.

Start

1. Appuyer sur la touche **RAPID DEFROST**.
2. Appuyer sur la touche **START**.

## UTILISATION DE LA GRILLE MÉTALLIQUE À DEUX POSITIONS

La grille métallique à deux positions permet à l'utilisateur de disposer de plus d'espace et de placer simultanément plus d'un récipient dans le four pour une cuisson. On peut réorienter la grille métallique dans un sens ou dans l'autre pour faciliter l'utilisation de l'espace, selon la taille des récipients.

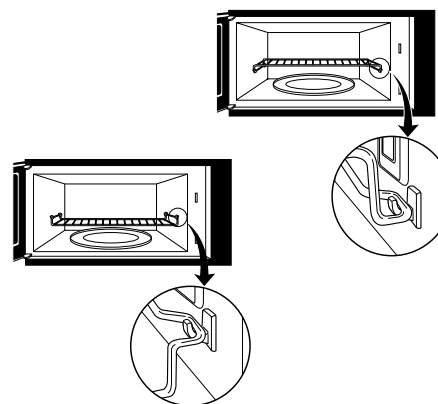
Utilisation de la grille :

1. Placer la grille en bon appui sur les quatre supports de plastique.
  - Il NE FAUT PAS que la grille touche les parois métalliques ou le fond de la cavité du four.
2. Placer des quantités égales d'aliments **AU-DESSUS** et **AU-DESSOUS** de la grille.
  - Il faut que les quantités d'aliments soient approximativement identiques, pour une bonne répartition de l'énergie absorbée.

**ATTENTION**

Pour éviter un risque de dommages matériels :

- > Ne pas utiliser la grille pour une opération d'éclatement de maïs.
- > Lors de l'utilisation, la grille doit toujours reposer sur les quatre supports de plastique.
- > Utiliser la grille uniquement pour faire cuire le contenu de deux récipients d'aliments.
- > Ne pas effectuer une cuisson alors que la grille repose sur la sole du four.



**REMARQUE :** On déconseille l'emploi de la grille durant une cuisson contrôlée par le circuit du capteur.

## TEMPS DE DÉCONGÉLATION – TABLEAU DE SÉLECTION

ALIMENT	TEMPS DE DÉCONGÉLATION	INSTRUCTIONS SPÉCIALES
<b>VIANDE</b> Bacon (1 lb [0,45 kg]) Viande hachée (1 lb [0,45 kg]) Rôti  Steaks, côtelettes et escalopes	2 - 4 minutes 4½ - 6 minutes 4½ - 6 minutes  4½ - 6 minutes par lb (0,45 kg)	Retourner lors de l'émission du signal sonore. Ajouter une période d'attente de 5 minutes après la décongélation. Retourner lors de l'émission du signal sonore. Protéger avec de la feuille d'aluminium les parties qui s'échauffent rapidement. Ajouter une période d'attente de 5 à 10 minutes. Comme ci-dessus.
<b>VOLAILLE</b> Poulet entier (petit), en morceaux (2½ à 3 lb [1,1 à 1,4 kg]) Poulet entier (2 à 3 lb [0,9 à 1,4 kg]) Poulette de Cornouailles	13 - 16 minutes 15 - 18 minutes 5 - 7 minutes par lb (0,45 kg)	Retourner lors de l'émission du signal sonore. Protéger avec de feuille d'aluminium les parties qui s'échauffent rapidement. Ajouter une période d'attente de 20 à 30 minutes. Recouvrir avec de la feuille d'aluminium.
<b>POISSON ET FRUITS DE LA MER</b> Filets (1 lb [0,45 kg]) Crustacés – petits morceaux 1 lb [0,45 kg])	4 - 5½ minutes 4 - 5 minutes	Placer le bloc dans un ustensile; après l'émission du signal sonore, retourner et séparer en morceaux; ajouter une période d'attente de 5 minutes.

**REMARQUE :** Les durées de décongélation sont approximatives; il s'agit simplement d'une estimation.

## POUR OBTENIR LES MEILLEURS RÉSULTATS DE CUISSON

Lire et observer les directives ci-dessous pour obtenir les meilleurs résultats lors de l'utilisation du four à micro-ondes.

- **Température initiale** : Il faut plus de temps pour cuire un aliment qui sort du réfrigérateur ou du congélateur que s'il était à la température ambiante. Les durées de cuisson indiquées dans cette brochure sont celles qui correspondent à des aliments qui se trouvent à la température de conservation normale.
- **Taille** : Les morceaux d'aliment de petite taille cuisent plus rapidement que les morceaux de plus grosse taille; des morceaux de taille et de forme similaire cuisent plus uniformément. Pour une cuisson uniforme, réduire la puissance pour la cuisson d'aliment en morceaux de grande taille.
- **Humidité naturelle** : Un aliment qui contient beaucoup d'eau cuit plus uniformément, parce que les molécules d'eau absorbent l'énergie des micro-ondes.
- **Remuer** les aliments comme mets en sauce et légumes, depuis l'extérieur vers le centre du récipient, pour répartir uniformément la chaleur; ceci accélère la cuisson. Il n'est pas nécessaire de remuer constamment.

- **Retourner** les aliments comme côtelettes de porc, pommes de terre, rôti ou chou-fleur entier, vers le milieu de la période de cuisson, pour exposer uniformément toutes les faces à l'énergie des micro-ondes.
- **Orienter** vers le centre du plat les parties délicates des aliments (pointes des d'asperges, par exemple).
- **Orienter** vers l'extérieur du plat les parties épaisses des morceaux de forme non-uniforme (morceaux de poulet, darnes de saumon).
- **Protéger** avec des **petits** morceaux de feuille d'aluminium les parties d'un aliment qui peuvent cuire plus rapidement, comme extrémité d'aile et extrémité de pilon de volaille.
- **Période d'attente** : Après avoir retiré le plat du four à micro-ondes, recouvrir avec un couvercle ou une feuille de plastique et laisser reposer; la cuisson se poursuit vers le centre durant cette période d'attente, sans risque de cuisson excessive des parties externes. La durée de la période d'attente dépendra de la densité de l'aliment et de la surface exposée.
- **Enveloppement dans du papier paraffiné ou dans un essuie-tout** : Pour éviter un assèchement, on devrait envelopper avant le réchauffage aux micro-ondes les sandwiches et de nombreux autres aliments contenant du pain précuit.

## POISSON ET PRODUITS DE LA MER

### Cuisson des poissons et produits de la mer : directives générales

- Préparation du poisson pour la cuisson
  - Décongeler complètement (poisson et produits de la mer)
  - Orienter vers le centre du plat les parties épaisses des morceaux de forme non-uniforme. Repartir les crustacés et coquillages en une seule couche pour obtenir une cuisson uniforme.
  - Le type d'article de couverture à utiliser dépend de la méthode de cuisson. Pour un poisson poché, utiliser un récipient recouvert d'un couvercle ou d'un film de plastique (avec évent) compatible avec les micro-ondes.
  - Pour poisson au four, poisson pané ou poisson en sauce : recouvrir avec une feuille de papier paraffiné pour éviter la dilution par l'eau.
  - Sélectionner toujours le temps de cuisson le plus bref. Le poisson est cuit lorsque sa chair devient opaque et qu'il est possible de séparer les couches de chair de la partie la plus épaisse. Un crustacé est cuit lorsque la couleur de sa carapace passe de rose à rouge et que sa chair est opaque et ferme.
- Le guide de cuisson ci-dessous présente des directives spécifiques, avec durée de cuisson et puissance de chauffage, pour la plupart des types de poisson et crustacés.

## TEMPS DE CUISSON POUR POISSON ET CRUSTACÉS

POISSON	NIVEAU DE PUISSANCE	DURÉE DE CUISSON	DIRECTIVES
Filets de poisson	HI (puissance élevée)	3½-4½ minutes	Repartir en une seule couche; placer la partie la plus épaisse vers le bord externe d'un ustensile de 1,5 litre pour four à micro-ondes. Badigeonner avec du beurre fondu et assaisonner au goût.
Darnes de poisson	HI	4½-5½ minutes	Recouvrir avec une feuille de plastique (laisser un évent). Après la cuisson, ajouter une période d'attente de 2 minutes sous couverture. Pour la cuisson d'une quantité de plus de 1 lb (0,45 kg) de poisson, retourner le poisson au milieu de la période de cuisson.
Poisson entier	7	4½-6 minutes	
Pétoncles	HI	3½-5 minutes	Repartir en une seule couche. Préparer selon les instructions ci-dessus, mais remuer au lieu de retourner.
Crevettes, décortiquées	HI	3½-5 minutes	

## AMUSE-GUEULE/ SAUCES/SOUPES

### Cuisson des amuse-gueule : Conseils et techniques

#### Recommandations :

- Les biscuits croustillants (toast melba, biscuits de blé en filaments ou de seigle) conviennent le mieux pour l'utilisation au four à micro-ondes. Attendre que les invités soient présents avant d'ajouter les garnitures. Placer un essuie-tout de papier sous les biscuits pendant la cuisson dans le four à micro-ondes pour l'absorption de l'excès d'humidité.
- Répartir selon un cercle pour une cuisson uniforme.
- Remuer les trempettes pour répartir la chaleur et minimiser la durée de cuisson.

### Cuisson de sauces : Conseils et techniques

- Utiliser un ustensile pour four à micro-ondes, ou une tasse à mesurer en verre dont le volume est 2 à 3 fois le volume de la sauce.
- Une sauce à base de féculé de maïs épaissit plus rapidement qu'une sauce préparée à base de farine.

### Cuisson des soupes : Conseils et techniques

- Pour éviter un débordement, particulièrement si la soupe contient de la crème ou du lait, utiliser un récipient pour four à micro-ondes dont le volume est le double de celui des ingrédients de la recette.
- D'une manière générale, recouvrir avec un couvercle ou une feuille de plastique (avec ÉVENT).
- Recouvrir pour retenir l'humidité. Ne pas recouvrir lorsqu'on souhaite préserver l'aspect croustillant.
- Sélectionner la durée de cuisson minimum suggérée, pour éviter un excès de cuisson. Augmenter la durée de cuisson seulement après avoir évalué l'avancement de la cuisson des aliments.

### Erreurs à éviter

- Il est préférable d'employer la chaleur sèche d'un four conventionnel pour les amuse-gueule croustillants ou pâtisseries de pâte feuilletée.
- On peut réchauffer des produits panés au four à micro-ondes, mais la panure ne sera pas croustillante.
- Cuire une sauce à base de féculé de maïs ou de farine dans un récipient non couvert, pour pouvoir le remuer 2 ou 3 fois durant la période de cuisson, pour éviter la formation de grumeaux.
- Pour adapter une recette de sauce classique, réduire légèrement la quantité de liquide.
- Remuer occasionnellement pour répartir uniformément les saveurs et la chaleur; ceci réduit également la durée de cuisson nécessaire.
- Lors de la conversion d'une recette de soupe conventionnelle pour la cuisson au four à micro-ondes, réduire les quantités de liquide, sel et épices fortes.

## VIANDE

### Cuisson des viandes : Directives générales

- Préparation des viandes pour la cuisson.
  - Décongeler complètement.
  - Enlever l'excès de graisse pour éviter la formation d'éclaboussures/projections.
  - Placer la pièce de viande sur une grille dans un récipient pour four à micro-ondes, côté gras vers le bas.
  - Utiliser un sac de cuisson au four pour une pièce de viande moins tendre.
  - Orienter les morceaux de telle manière que les parties épaisses soient vers l'extérieur du plat.
  - Recouvrir avec du papier paraffiné qui retiendra les projections.

- Surveiller la pièce de viande durant la cuisson.
  - Drainer le jus à mesure qu'il apparaît pour minimiser les projections et pour éviter une cuisson excessive de la partie inférieure de la pièce de viande.
  - Protéger avec de la feuille d'aluminium les parties minces ou osseuses, pour éviter une cuisson excessive.

**REMARQUE :** Maintenir un **espace de 1 po (2,5 cm)** ou plus entre les morceaux d'aluminium et les parois du four, et ne jamais recouvrir plus de 1/3 du mets avec de la feuille d'aluminium.

- Après avoir retiré le plat du four, ajouter une période d'attente de 10-15 minutes (le mets étant recouvert d'une feuille d'aluminium). La température interne pourra encore augmenter de 5-10 °F (3 à 5 °C) durant la période d'attente.

Le tableau de cuisson des viandes (page suivante) présente des directives spécifiques, avec durée de cuisson et puissance de chauffage, pour la plupart des pièces de viande.

# Cuisson (suite)

## TABLEAU DE CUISSON DES VIANDES

VIANDE	NIVEAU DE PUISSANCE	DURÉE DE CUISSON	DIRECTIVES
<b>BOEUF</b> Hamburgers, frais ou décongelés (4 onces chacun [113 g]) 1 steakette 2 steakettes 4 steakettes	HI (puissance élevée)	1-1½ minutes 1½-2 minutes 2½-3½ minutes	Former une dépression au centre de chaque steakette. Placer sur une grille de rôtissage aux micro-ondes. Badigeonner avec un agent de brunissage (le cas échéant). Recouvrir avec du papier paraffiné. Retourner au milieu de la période de cuisson. Ajouter une période d'attente de 1 minute, sous couvert.
Rôti – pointe de surlonge (3-4 lb [1,4 à 1,8 kg])	5	8-10 minutes par livre (0,45 kg) SAIGNANT (135 °F [57 °C]) 11-13 minutes par livre (0,45 kg) À POINT (155 °F [68 °C])	Placer le rôti sur une grille de rôtissage aux micro-ondes (côté gras vers le bas). Assaisonner au goût et recouvrir avec du papier paraffiné. Retourner la pièce de viande au milieu de la période de cuisson; si nécessaire, protéger les parties qui s'échauffent plus rapidement. Retirer le rôti du four à micro-ondes lorsque la température désirée est atteinte. Ajouter une période d'attente de 15 minutes, le mets étant recouvert d'une feuille d'aluminium (la température pourra augmenter d'environ 10 °F [5 °C]).
<b>AGNEAU</b> Rôti roulé, sans os (3-4 lb [1,4 à 1,8 kg])	5	11-12 minutes par livre (0,45 kg) SAIGNANT (135 °F [57 °C]) 12-13 minutes par livre (0,45 kg) À POINT (145 °F [62 °C]) 13-14 minutes par livre (0,45 kg) BIEN CUIT (155 °F [68 °C])	Placer le rôti sur une grille de rôtissage aux micro-ondes (côté gras vers le bas). Badigeonner avec la marinade ou assaisonner au goût (romarin, thym, marjolaine). Recouvrir avec du papier paraffiné. Retourner le rôti après 15 minutes de cuisson, puis de nouveau après 30 minutes de cuisson. Si nécessaire, protéger les parties qui s'échauffent rapidement. Retirer le rôti du four à micro-ondes lorsque la température désirée est atteinte. Ajouter une période d'attente de 15 minutes, le mets étant recouvert d'une feuille d'aluminium (la température pourra augmenter d'environ 10 °F [5 °C]).
<b>PORC</b> Tranches de bacon 2 tranches 4 tranches 6 tranches 10 tranches	HI (puissance élevée)	1½-2 minutes 2-3 minutes 4-5 minutes 7-8 minutes	Placer les tranches de bacon sur une grille de rôtissage aux micro-ondes. Recouvrir avec des essuie-tout. Ajouter une période d'attente de 1 minute après la cuisson.
Côtelettes (5-7 onces [142 à 198 g], chacune) 2 côtelettes  4 côtelettes	3	18-20 minutes par livre (0,45 kg) 15-17 minutes par livre (0,45 kg)	Placer les côtelettes dans un plat pour cuisson aux micro-ondes. Assaisonner au goût et recouvrir avec une feuille de plastique (avec évent). Cuire jusqu'à ce que la teinte rose disparaisse ou que la température interne atteigne 170 °F (77 °C). Retourner les côtelettes au milieu de la période de cuisson. Ajouter une période d'attente de 5 minutes. (La température pourra augmenter d'environ 10 °F [5 °C]).
Rôti de longe roulé, sans os (3½-4½ lb [1,6 à 2,0 kg])	3	25-27 minutes par livre (0,45 kg) (165 °F [74 °C])	Placer le rôti dans un sac de cuisson, dans un ustensile pour four à micro-ondes. Assaisonner au goût et ajouter éventuellement un agent de brunissage. Fermer le sac sans serrer. Ajouter une période d'attente de 15 minutes dans le sac après la cuisson (la température pourra augmenter d'environ 10 °F [5 °C]). Avant le service, la température interne de la viande de porc doit atteindre 170 °F (77 °C).
Saucisses Fraîches ou surgelées, décongelées (1-2 onces [28 à 57 g] chacune) 2 saucisses 4 saucisses 6 saucisses 10 saucisses (paquet de 8 onces [227 g])	HI (puissance élevée)	45-60 seconds 1-1½ minutes 1½-2 minutes 1¾-2 minutes	Percer la peau des saucisses avant de les placer sur une grille de rôtissage aux micro-ondes. Recouvrir avec du papier paraffiné ou des essuie-tout de papier. Retourner au milieu de la période de cuisson. Après la cuisson, ajouter une période d'attente de 1 minute, sous couvert.



## VOLAILLE

### Cuisson de volaille : Directives générales

- Préparation d'une volaille pour la cuisson :
  - Décongeler complètement.
  - Repartir les morceaux de volaille en plaçant les parties épaisses vers l'extérieur du plat de cuisson. Pour la cuisson de pattes, répartir les pattes comme les rayons d'une roue.
  - Recouvrir le plat de cuisson avec du papier paraffiné qui retiendra les projections
  - Pour obtenir une apparence de brunissage, utiliser un agent de brunissage, ou cuire avec une sauce.
- Surveiller le mets durant la cuisson.
  - Retirer et jeter le jus qui s'accumule.

- Protéger les parties minces ou osseuses avec de la feuille d'aluminium, pour éviter une cuisson excessive. Veiller à ne pas approcher les morceaux de feuille d'aluminium à **moins de 1 po (2,5 cm)** des parois du four et d'autres morceaux de feuille d'aluminium.

• La viande de volaille est cuite lorsque sa teinte n'est plus rose et que le jus qui s'écoule est limpide. Après la cuisson, la température de la viande au niveau des cuisses devrait être 180-185 °F (82-85 °C).

• Après la cuisson, ajouter une période d'attente de 10 minutes, sous une feuille d'aluminium.

Le tableau de cuisson des viandes de volaille ci-dessous présente des directives spécifiques, avec durée de cuisson et puissance de chauffage, pour la plupart des pièces de viande de volaille

### TABLEAU DE CUISSON DE VOLAILLE

VOLAILLE	NIVEAU DE PUISSANCE	DURÉE DE CUISSON	DIRECTIVES
Morceaux de poulet (2½ - 3 lb [1,1 à 1,4 kg]) lbs.)	HI (puissance élevée)	4½-5½ minutes par lb (0,45 kg)	Avant la cuisson, rincer les morceaux et bien égoutter. Placer les morceaux en une seule couche dans un plat pour cuisson aux micro-ondes; orienter les parties épaisses vers l'extérieur. Badigeonner avec du beurre ou un agent de brunissage et assaisonner au goût. Recouvrir avec du papier paraffiné. Poursuivre la cuisson jusqu'à ce que la chair ne soit plus rose et que le jus qui s'écoule soit limpide. Ajouter une période d'attente de 5 minutes, sous couvert.
Poulet entier (3 - 3½ lb [1,4 à 1,6 kg])	HI	12-13 minutes par lb (0,45 kg)	Avant la cuisson, rincer à l'eau et bien égoutter. Placer l'oiseau sur une grille de rôtissage aux micro-ondes, poitrine vers le bas. Badigeonner avec du beurre ou un agent de brunissage et assaisonner au goût. Recouvrir avec du papier paraffiné. Exécuter la cuisson pendant ½ du temps estimé. Retourner l'oiseau, poitrine vers le haut; badigeonner avec du beurre ou un agent de brunissage. Recouvrir avec le papier paraffiné. Poursuivre la cuisson durant ⅓ du temps estimé. Si nécessaire protéger les parties qui cuisent plus rapidement. Poursuivre la cuisson durant ⅓ du temps estimé, ou jusqu'à ce que la chair ne soit plus rose et que le jus qui s'écoule soit limpide. Ajouter une période d'attente de 10 minutes, sous une feuille d'aluminium (la température pourra augmenter d'environ 10 °F [5 °C]). En fin de cuisson, la température dans une cuisse devrait atteindre 180-185 °F [82-85 °C].
Poulettes de Cornouailles entières (1 - 1½ lb [0,45 à 0,7 kg], chacune)	HI	6-7 minutes par lb (0,45 kg)	Avant la cuisson, rincer à l'eau et bien égoutter. Attacher les ailes contre le corps, et les pattes avec la queue. Placer les poulettes sur une grille pour cuisson à micro-ondes, poitrine vers le bas. Recouvrir avec du papier paraffiné. Retourner les poulettes, poitrine vers le haut, vers le milieu de la période de cuisson. Protéger avec de la feuille d'aluminium les extrémités osseuses des pilons. Enlever/jeter le jus qui s'écoule. Badigeonner avec du beurre ou un agent de brunissage et assaisonner au goût. Poursuivre la cuisson jusqu'à ce que la chair ne soit plus rose et que le jus qui s'écoule soit limpide. Retirer les poulettes du four lorsque la température désirée est atteinte. Ajouter une période d'attente de 5 minutes, sous une feuille d'aluminium (la température pourra augmenter d'environ 10 °F [5 °C]). Avant le service, la température dans la poitrine des poulettes devrait atteindre 170 °F [77 °C].

# Cuisson (suite)

## PÂTES ET RIZ

La durée de cuisson nécessaire pour la cuisson de pâtes, riz ou céréales est approximativement identique pour la cuisson aux micro-ondes et pour la cuisson conventionnelle, mais la cuisson au four à micro-ondes est beaucoup plus pratique parce qu'on peut utiliser le même plat pour la cuisson et le service. Il n'y a pas besoin de remuer et le goût d'un reste de pâtes réchauffé aux micro-ondes est tout aussi bon.

### Cuisson de pâtes ou riz : Conseils et techniques

- Lors de la cuisson d'une quantité de riz ou de pâtes qu'on utilisera dans un mets en sauce, sélectionner un temps de cuisson inférieur au temps minimum, pour que le produit demeure ferme.
- Prévoir une période d'attente pour le riz, mais pas pour les pâtes.
- Le tableau de cuisson des pâtes et du riz ci-dessous présente des directives spécifiques, avec durée de cuisson et puissance de chauffage, pour la plupart des mets à base de pâtes ou de riz.

## PÂTES – TABLEAU DE CUISSON

PÂTES	NIVEAU DE PUISSANCE	DURÉE DE CUISSON	DIRECTIVES
<b>Spaghettis</b> 4 tasses (946 mL) d'eau Ajouter 8 onces (227 g) de spaghettis	HI 5	9-10 minutes 7½-8½ minutes	Le cas échéant, ajouter la quantité de sel désirée à l'eau chaude du robinet. Utiliser un ustensile de 2 litres pour cuisson au four à micro-ondes; recouvrir avec une enveloppe de plastique (avec évent) pour les spaghettis et la lasagne. Utiliser un couvercle ou une feuille de plastique (avec évent) pour micro-ondes, pour les macaronis et les nouilles aux oeufs.
<b>Macaronis</b> 3 tasses (710 mL) d'eau Ajouter 2 tasses (473 mL) de macaroni	HI 5	6-7 minutes 5½-6½ minutes	Effectuer la cuisson au niveau de puissance HI (puissance élevée), selon les indications du tableau ou jusqu'à l'ébullition de l'eau.
<b>Lasagne</b> 4 tasses (946 mL) d'eau Ajouter 8 onces (227 g) de lasagne	HI 5	7-8 minutes 11-12½ minutes	Remuer les pâtes; effectuer la cuisson au niveau de puissance 5 selon les indications du tableau, ou jusqu'à ce que les pâtes soient tendres. Égoutter avec une passoire.
<b>Nouilles aux oeufs</b> 6 tasses (1,4 L) d'eau Ajouter 4 tasses (946 mL) de nouilles	HI 5	8-10 minutes 5½-6½ minutes	

## RIZ – TABLEAU DE CUISSON

RIZ	NIVEAU DE PUISSANCE	DURÉE DE CUISSON	DIRECTIVES
<b>Grains longs</b> 2¼ tasses (532 mL) d'eau Ajouter 1 tasse (237 mL) de riz	HI 5	4½-5½ minutes 14 minutes	Le cas échéant, combiner le sel nécessaire avec l'eau chaude du robinet, dans un récipient de 2 litres pour cuisson aux micro-ondes. Recouvrir avec un couvercle ou une feuille de plastique (avec évent) pour micro-ondes. Effectuer la cuisson selon les indications du tableau au niveau de puissance HI (puissance élevée) ou jusqu'à l'ébullition de l'eau.
<b>Riz brun</b> 2½ tasses (591 mL) d'eau Ajouter 1 tasse (237 mL) de riz	HI 5	4½-5½ minutes 28 minutes	Introduire le riz en remuant, et tout assaisonnement. Cuire dans le récipient couvert selon les indications du tableau, au niveau de puissance 5 ou jusqu'à ce que l'eau ait été absorbée et que le riz soit tendre.
<b>Mélange riz à grains longs/ riz sauvage</b> 2⅔ tasses (552 mL) d'eau Ajouter 1 paquet de 6 onces (170 g)	HI 5	4-5 minutes 24 minutes	Ajouter une période d'attente de 5 à 10 minutes dans le récipient couvert. Ameubler avec une fourchette.
<b>Riz à cuisson rapide</b> 1 tasse (237 mL) d'eau Ajouter 1 tasse (237 mL) de riz	HI	2-3 minutes	Faire chauffer l'eau jusqu'à l'ébullition. Introduire le riz dans l'eau bouillante en remuant, et laisser reposer dans le récipient couvert 5 à 10 minutes ou jusqu'à ce que l'eau soit absorbée et que le riz soit tendre. Ameubler avec une fourchette.

## ENTRETIEN ET NETTOYAGE

Pour optimiser la performance et la sécurité de l'appareil, veiller à la propreté du four, à l'intérieur et à l'extérieur. Veiller particulièrement à empêcher toute accumulation de résidus alimentaires ou de graisse sur le cadre avant du four et la surface interne du panneau de porte. **Ne jamais utiliser un tampon abrasif ou un produit en poudre abrasif.** Essuyer les surfaces internes et externes du four à micro-ondes, y compris le couvercle inférieur de la hotte d'aspiration, avec un chiffon doux et une solution d'eau tiède de détergent et d'eau. Ensuite, rincer et essuyer pour sécher. Sur les surfaces de chrome, métal ou aluminium, utiliser un produit de polissage de chrome. Éliminer les résidus de projection immédiatement par essuyage avec un essuie-tout de papier, particulièrement après la cuisson de poulet ou de bacon. Nettoyer le four chaque semaine, ou plus fréquemment, selon le besoin.

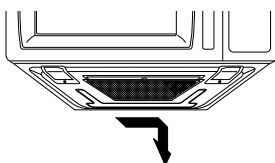
## GRILLE MÉTALLIQUE

Laver la grille métallique avec un savon doux et une brosse de récurage douce ou de nylon. Bien sécher. Ne pas utiliser un instrument ou un produit de nettoyage abrasif pour nettoyer la grille.

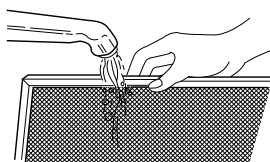
## NETTOYAGE DU FILTRE À GRAISSE

On doit démonter fréquemment le filtre à graisse pour le nettoyer, au moins une fois par mois.

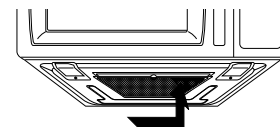
1. Pour la dépose du filtre à graisse, faire glisser le filtre latéralement. Tirer vers le bas et pousser vers l'autre côté. Le filtre pourra sortir.



2. Faire tremper le filtre à graisse dans de l'eau chaude avec un détergent doux. Bien rincer et secouer pour sécher. **Ne jamais utiliser un produit contenant de l'ammoniaque, et ne jamais laver le filtre dans le lave-vaisselle; le filtre d'aluminium prendrait une teinte sombre.**



3. Pour réinstaller le filtre, faire glisser le filtre dans la rainure latérale, puis pousser vers le haut et vers le centre du four pour la mise en place.



## **ATTENTION**

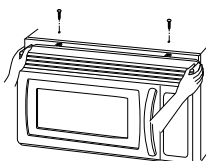
Pour éviter tout risque de dommages matériels ou corporels, ne jamais faire fonctionner la hotte du four si les filtres ne sont pas en place.

## REPLACEMENT DU FILTRE À CHARBON

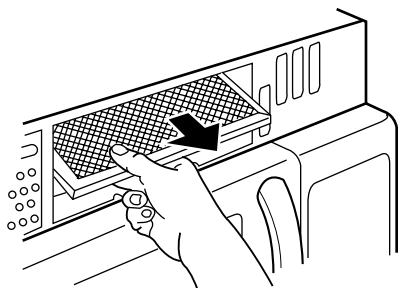
Si la hotte associée au four recycle l'air à l'intérieur de la pièce, on doit remplacer le filtre à charbon à intervalles de 6 à 12 mois, ou plus fréquemment selon le besoin. Il n'est pas possible de nettoyer le filtre à charbon. Pour commander un filtre à charbon, contacter le département des pièces du plus proche centre de service agréé, ou composer le **1-800-688-1100** (É.-U. et Canada).

Commander le filtre à charbon n° MVHRK3.

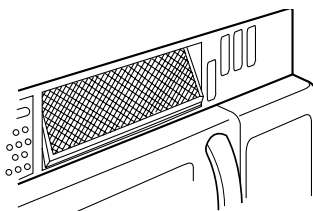
1. Débrancher le four de la source d'électricité.
2. Ôter les deux vis de montage de la grille de la bouche d'aération (2 vis au milieu).



3. Appuyer sur le droit inférieur de la grille à charbon.
4. Enlever le vieux filtre.



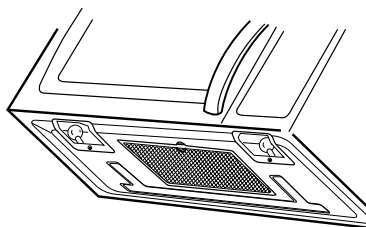
5. Mettre en place un filtre à charbon neuf. Le filtre doit être incliné comme on le voit sur l'illustration.



6. Effectuer la mise en place de la partie inférieure de la grille. Pousser le sommet pour la mise en place par emboîtement. Réinstaller les vis de montage. Rétablir l'alimentation électrique de l'appareil, et régler l'horloge.

## REPLACEMENT DE L'AMPOULE DE LA LAMPE D'ÉCLAIRAGE DU PLAN DE TRAVAIL

1. Débrancher le four ou interrompre l'alimentation du circuit au niveau du tableau de distribution.



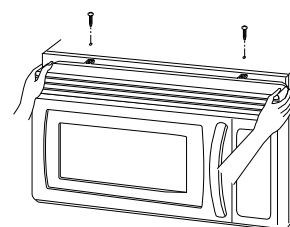
2. Ôter les vis de montage du cabochon.
3. Remplacer chaque ampoule grillée par une ampoule de 30 watts pour appareil ménager.
4. Réinstaller le cabochon et les vis de montage.
5. Rétablir l'alimentation électrique de l'appareil.

## **ATTENTION**

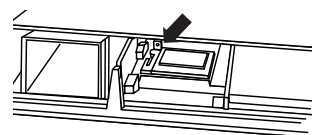
Pour éviter tout risque de dommages matériels ou corporels, porter des gants lors du remplacement d'une ampoule.

## REPLACEMENT DE L'AMPOULE DE LA LAMPE DU FOUR

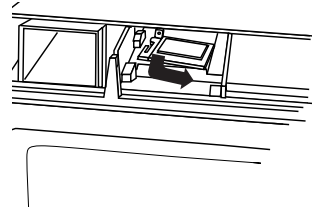
1. Débrancher le four ou interrompre l'alimentation du circuit au niveau du tableau de distribution.
2. Ôter les deux vis de montage de la grille de la bouche d'aération (2 vis au milieu).
3. Tirer la grille vers l'avant, puis soulever pour l'enlever.



4. Retirer le porte-ampoule.



5. Soulever le porte-ampoule.



6. Remplacer l'ampoule grillée par une ampoule de 30 ou 40 watts pour appareil ménager.
7. Réinstaller le porte-ampoule.
8. Effectuer la mise en place de la partie inférieure de la grille. Pousser le sommet pour la mise en place par emboîtement. Réinstaller les vis de montage. Rétablir l'alimentation électrique de l'appareil.

## GUIDE DES USTENSILES POUR FOUR À MICRO-ONDES

UTILISER	NE PAS UTILISER
<p><b>VERRE SPECIAL FOUR</b> (traité pour chaleur très forte) : Plats courants, moules à pain, plats à tarte, plats à gâteau, tasses à mesurer, cocottes et plats creux sans bordure métallique.</p> <p><b>PORCELAINE :</b> Plats creux, tasses, assiettes et plats de service sans garniture métallique.</p> <p><b>PLASTIQUES :</b> Pellicule plastique (pour recouvrir) -- étirer la pellicule sans la serrer par-dessus le plat et l'appuyer sur les côtés.</p> <p>Prévoir une aération en retournant légèrement un bord pour permettre à la vapeur de s'échapper. Le plat doit être assez profond pour que la pellicule plastique ne touche pas la nourriture.</p> <p>Lors du chauffage d'un aliment, la pellicule plastique risque de fondre si elle est en contact avec l'aliment.</p> <p><b>N'utiliser tasses, contenants pour congélateurs semi-rigides, sachets et plats en plastique que pour une courte durée de cuisson. Le plastique en effet risque de se ramollir par suite de la chaleur des aliments.</b></p> <p><b>PAPIER :</b> Papier essuie-tout, papier ciré, serviettes en papier et assiettes en papier sans garniture ou décoration métallique. Regarder l'étiquette du fabricant pour confirmer l'utilisation possible dans le four à micro-ondes.</p>	<p><b>USTENSILES MÉTALLIQUES :</b> Le métal empêche l'énergie des micro-ondes d'atteindre l'aliment, ce qui produit une cuisson inégale. Éviter aussi les brochettes en métal, les thermomètres ou plateaux en aluminium. Les ustensiles métalliques peuvent entraîner la production d'arcs électriques risquant d'endommager le four à micro-ondes.</p> <p><b>DÉCORATION MÉTALLIQUE :</b> Cocottes, assiettes à dîner à bordure ou garniture métallique, etc. Le métal gêne la cuisson normale et peut endommager le four.</p> <p><b>FEUILLES D'ALUMINIUM :</b> Éviter les grandes feuilles d'aluminium parce qu'elles gênent la cuisson et peuvent entraîner la formation dangereuse d'arcs. Utiliser de petits morceaux de papier aluminium pour protéger les ailes et les pattes de volaille. S'assurer que tout le papier aluminium se trouve à au moins 5 cm (1 po) des parois et de la porte du four.</p> <p><b>BOIS :</b> Les planches et bols en bois vont se dessécher et peuvent se fendiller ou se fendre si on les utilise dans le four à micro-ondes. Les paniers peuvent réagir de la même façon.</p> <p><b>USTENSILES À COUVERCLES BIEN FERMÉS :</b> S'assurer de laisser des ouvertures pour que la vapeur s'échappe des ustensiles avec couvercle. Percer les sachets de légumes en plastique et autres articles avant la cuisson. Des sachets hermétiquement fermés risqueraient d'exploser.</p> <p><b>PAPIER D'EMBALLAGE :</b> Éviter d'utiliser des sacs en papier d'emballage. Ils absorbent trop la chaleur et pourraient brûler.</p> <p><b>USTENSILES AVEC DÉFAUTS OU ÉCAILLÉS :</b> Tout ustensile qui est fissuré, écaillé ou présente des défauts risquent de casser dans le four.</p> <p><b>ATTACHES EN MÉTAL :</b> Retirer les attaches en métal des sachets en papier ou plastique. Elles peuvent s'échauffer et risquent d'entraîner un feu.</p>

# Guide de dépannage

## Avant de contacter un service de dépannage

Vérifier la liste suivante pour s'assurer qu'un service de dépannage est vraiment nécessaire. Revoir les informations supplémentaires sur les différents articles pour empêcher tout appel de service qui ne serait pas nécessaire.

Problème	Causes possibles
Si rien sur le four ne marche	<ul style="list-style-type: none"><li>• vérifier si un fusible n'est pas grillé ou un disjoncteur, déclenché.</li><li>• vérifier si le four est correctement raccordé au circuit électrique de la maison.</li><li>• vérifier que les commandes sont correctement réglées.</li></ul>
Si la lampe intérieure du four ne fonctionne pas	<ul style="list-style-type: none"><li>• l'ampoule est peut-être dévissée ou défectueuse.</li></ul>
Si le four ne chauffe pas	<ul style="list-style-type: none"><li>• vérifier que le tableau de commande a été correctement programmé.</li><li>• vérifier que la porte est bien fermée.</li><li>• vérifier que l'on a bien appuyé sur la touche « Start »</li><li>• vérifier que la minuterie n'a pas été mise en marche au lieu d'une fonction de cuisson.</li></ul>
Si le four prend plus de temps que normalement à cuire ou cuit trop rapidement	<ul style="list-style-type: none"><li>• s'assurer que le niveau de puissance est correctement programmé.</li></ul>
Si l'horloge n'indique pas toujours l'heure exacte	<ul style="list-style-type: none"><li>• vérifier que le cordon est bien introduit dans la prise.</li><li>• s'assurer que le four est le seul appareil branché sur ce circuit.</li></ul>
Si la nourriture cuit de façon inégale	<ul style="list-style-type: none"><li>• s'assurer que la nourriture est présentée de façon uniforme.</li><li>• s'assurer que la nourriture est complètement décongelée avant la cuisson.</li><li>• s'assurer de la disposition des bandes en papier aluminium utilisées pour empêcher une surcuisson.</li></ul>
Si la nourriture n'est pas assez cuite	<ul style="list-style-type: none"><li>• vérifier la recette pour s'assurer que toutes les instructions (quantité, durée et niveaux de puissance) sont correctement suivies.</li><li>• s'assurer que le four à micro-ondes est branché sur un circuit indépendant.</li><li>• s'assurer que la nourriture est complètement décongelée avant la cuisson.</li></ul>
Si la nourriture est trop cuite	<ul style="list-style-type: none"><li>• vérifier la recette pour s'assurer que toutes les instructions (quantité, niveau de puissance, durée, taille du plat) ont été suivies.</li></ul>
En cas d'arcs électriques (étincelles)	<ul style="list-style-type: none"><li>• s'assurer que les plats utilisés peuvent supporter les micro-ondes.</li><li>• s'assurer qu'aucune attache métallique n'a été utilisée.</li><li>• s'assurer que le four n'a pas été mis en marche alors qu'il était vide.</li><li>• s'assurer que la grille en métal (le cas échéant) est correctement installée sur ses 4 supports.</li></ul>
Si l'afficheur indique un décompte mais que le four ne cuit pas	<ul style="list-style-type: none"><li>• vérifier que la porte est bien fermée.</li><li>• vérifier que la minuterie n'a pas été mise en marche au lieu d'une fonction de cuisson.</li></ul>
Le ventilateur se met en marche automatiquement	<ul style="list-style-type: none"><li>• Si la température devient trop élevée autour du four à micro-ondes, le ventilateur de la hotte d'extraction se met automatiquement en marche au réglage « LOW » (Bas) pour refroidir le four. Il peut rester en marche pendant une heure au maximum pour refroidir le four.</li></ul>

## AVERTISSEMENT

Pour éviter tout choc électrique qui pourrait entraîner de graves blessures ou même la mort, ne pas retirer le boîtier extérieur. Seul un réparateur autorisé doit retirer ce boîtier.

## QUESTIONS ET RÉPONSES

Question	Réponse
Puis-je utiliser une autre grille dans mon four à micro-ondes pour que je puisse réchauffer ou cuire sur deux grilles en même temps?	N'utiliser que la grille qui est fournie avec le four à micro-ondes. L'utilisation de toute autre grille pourrait entraîner de médiocres performances de cuisson et/ou la production d'arcs et endommager le four.
Puis-je utiliser des ustensiles en métal ou en aluminium dans le four à micro-ondes?	Le métal utilisable comprend le papier aluminium pour protéger certaines parties (utiliser de petits morceaux plats). Ne jamais laisser le métal entrer en contact avec les parois ou la porte.
Parfois, la porte du four à micro-ondes semble onduler. Est-ce normal?	Cette apparence est normale et ne modifie pas le fonctionnement du four à micro-ondes.
Quels sont les bruits de bourdonnement que j'entends lorsque le four à micro-ondes fonctionne?	C'est le bruit du transformateur lorsque le magnétron se met en marche par intermittence.
Pourquoi le plat devient-il très chaud lorsque je fais cuire de la nourriture dans le four à micro-ondes?	Lorsque la nourriture devient très chaude, elle conduit la chaleur jusqu'au plat. Utiliser des maniques pour retirer la nourriture après la cuisson. Le plat n'est peut-être pas utilisable dans un four à micro-ondes.
Qu'est-ce que la période d'attente?	La période d'attente est la durée après la cuisson, nécessaire à la nourriture qui a été enlevée du four et recouverte. Ce processus permet à la cuisson de se terminer, économise de l'énergie et libère le four pour d'autres utilisations.
Puis-je faire éclater du maïs dans le four? Comment obtenir les meilleurs résultats?	Oui. Il est possible de faire éclater du maïs spécial pour four à micro-ondes en suivant les instructions du fabricant ou en utilisant la touche « Popcorn » préprogrammée. Ne pas utiliser de sachets en papier ordinaire. Utiliser le test d'écoute en arrêtant le four dès que l'on n'entend plus qu'un éclatement toutes les secondes ou toutes les deux secondes. Ne pas essayer de faire éclater des grains qui n'auraient pas encore éclaté. Il est possible d'utiliser des dispositifs spéciaux pour l'éclatement du maïs en four à micro-ondes. Avec ceux-ci, s'assurer de suivre les instructions du fabricant. Ne pas faire éclater de maïs dans des ustensiles en verre.
Pourquoi de la vapeur sort-elle de l'évent?	De la vapeur est normalement produite lors de la cuisson. Le four à micro-ondes a été conçu pour laisser échapper cette vapeur par l'évent supérieur.

## Garantie complète de deux ans

Durant une période de deux (2) ans à compter de la date de l'achat initial au détail, toute pièce qui se révélerait défectueuse dans des conditions normales d'usage ménager, sera réparée ou remplacée gratuitement.

### Garantie limitée – pièces

De la seconde année à la cinquième année après la date de l'achat initial au détail, les pièces mentionnées ci-dessous et qui se révéleraient défectueuses dans des conditions normales d'usage ménager, seront réparées ou remplacées gratuitement (pièces seulement) si l'appareil se trouve aux États-Unis ou au Canada ; le propriétaire devra payer tous les autres frais, y compris les frais de main-d'œuvre : (1) clavier tactile et microprocesseur, (2) tube magnétron.

### Garantie limitée hors des États-Unis et du Canada – pièces

Lorsque l'appareil se trouve hors des États-Unis ou du Canada, pendant un (1) an à compter de la date de l'achat initial au détail, toute pièce qui se révélerait défectueuse dans des conditions normales d'usage ménager, sera réparée ou remplacée gratuitement (pièce seulement) ; le propriétaire devra assumer tous les autres frais, y compris les frais de main-d'œuvre.

### Résidents du Canada

Les garanties ci-dessus couvrent un appareil installé au Canada seulement s'il a été agréé par la CSA, sauf si l'appareil a été introduit au Canada à l'occasion d'un changement de résidence des États-Unis vers le Canada.

## Ne sont pas couverts par ces garanties:

- Le remplacement de fusibles, le réenclenchement de disjoncteurs ou la correction du réseau de plomberie ou de l'alimentation électrique.
- Le nettoyage et l'entretien normaux du produit, y compris le remplacement d'ampoules.
- Les produits dont les numéros de série d'origine ont été enlevés, modifiés ou ne sont pas facilement visibles.
- Les produits achetés à des fins commerciales, industrielles ou de location.
- Les produits situés à l'extérieur des États-Unis ou du Canada.
- Les frais de service supplémentaires dans le cas où un réparateur doit effectuer des réparations en plus des réparations normales, en dehors des heures de service normales ou encore dans une région à l'extérieur de son district habituel.
- Des réglages après la deuxième année.
- Des réparations résultant de raisons suivantes :
  - Installation, système d'évacuation ou entretien incorrects.
  - Toute modification ou tout réglage non autorisés par Maytag.
  - Tout accident, mauvaise utilisation, usage abusif, incendie, inondation ou catastrophe naturelle.
  - Raccordement incorrect à l'alimentation de gaz ou à l'alimentation électrique, de tension ou intensité incorrecte.
  - Utilisation d'ustensiles, contenants ou accessoires incorrects qui endommagent le produit.
- Déplacement.

## Si l'intervention d'un dépanneur est nécessaire

- Contacter le détaillant chez qui l'appareil a été acheté, ou contacter le service à la clientèle de Maytag au 1-800-688-1100 aux É.-U. et Canada, pour obtenir les coordonnées d'une agence de service agréée.
  - Veiller à conserver la facture d'achat pour justifier de la validité de la garantie. Pour d'autres informations en ce qui concerne les responsabilités du propriétaire à l'égard du service sous garantie, voir le texte de la GARANTIE.
  - Si le détaillant ou l'agence de service après-vente ne peut résoudre le problème, écrire à Maytag Appliances Sales Company, attention CAIR® Center, P.O. Box 2370, Cleveland, TN 37320-2370 ou téléphoner au 1-800-688-1100 aux É.-U. et Canada.
- REMARQUE :** Lors de tout contact concernant un problème, fournir l'information suivante :
- a. Nom, adresse et numéro de téléphone du client ;
  - b. Numéro de modèle et numéro de série de l'appareil ;
  - c. Nom et adresse du détaillant ou de l'agence de service ;
  - d. Description claire du problème observé ;
  - e. Preuve d'achat (facture de vente).
- Les guides d'utilisation, les manuels de service et les renseignements des pièces sont disponibles auprès de Maytag Appliances Company, service à la clientèle de Maytag.

### EN AUCUN CAS MAYTAG NE SERA TENUE RESPONSABLE DE DOMMAGES DIRECTS OU INDIRECTS.

Cette garantie vous confère des droits juridiques spécifiques. Vous pouvez également jouir d'autres droits, variables d'un état à un autre ou d'une province à une autre. Par exemple, certains états ou provinces ne permettent pas l'exclusion ou la limitation de dommages directs ou indirects. Cette limitation peut donc ne pas s'appliquer dans votre cas.



# Horno de Microondas con Campana de Ventilación Integrada

# Manual del Usuario

*JMV8196AA/JMV8196AC*

**Instalador:** Por favor deje este manual junto con el electrodoméstico.

**Consumidor:** Por favor lea y conserve este manual para referencia futura. Conserve el recibo de compra y/o el cheque cancelado como comprobante de compra.

Número de Modelo

Número de Serie

Fecha de Compra

En nuestro continuo afán de mejorar la calidad de nuestros electrodomésticos puede ser necesario modificar este electrodoméstico sin actualizar esta guía.

Si tiene preguntas, por favor escribanos (incluya el número de modelo y su número de teléfono) o llame a:

Maytag Appliances Sales Company  
Attn: CAIR® Center  
P.O. Box 2370  
Cleveland, TN 37320-2370  
1-800-688-1100 EE. UU. y Canadá  
(Lunes a Viernes desde las 8:00 a.m.  
hasta las 8:00 p.m. Hora del Este)  
Internet: <http://www.jennair.com>

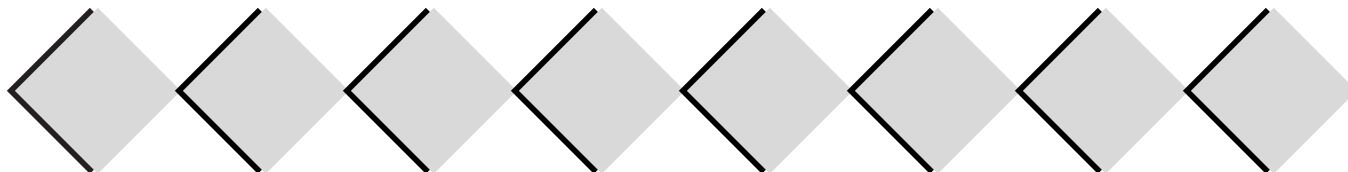
## Tabla de Materias

Instrucciones Importantes Sobre Seguridad .....	58-60
Características .....	61-62
Funcionamiento .....	63-73
Cocinando en el Microondas .....	74-78
Mantenimiento .....	79-80
Utensilios Recomendados .....	81
Localización y Solución de Averías .....	82
Preguntas y Respuestas .....	83
Garantía .....	84

## Horno de Microondas Eléctrico

**Conserve las instrucciones para referencia futura.**

**Asegúrese de que este manual permanezca con el horno.**



# INSTRUCCIONES IMPORTANTES DE SEGURIDAD

## Información Sobre las Instrucciones de Seguridad

Las advertencias e instrucciones importantes sobre seguridad que aparecen en este manual no están destinadas a cubrir todas las posibles circunstancias y situaciones que puedan ocurrir. Se debe ejercer sentido común, precaución y cuidado cuando instale, efectúe mantenimiento o cuando use el microondas.

Siempre póngase en contacto con su distribuidor, agente de servicio o fabricante si surgen problemas o situaciones que usted no comprenda.

## Reconozca los Símbolos, Advertencias y Etiquetas de Seguridad

### PELIGRO

**PELIGRO** — Riesgos inmediatos que CAUSARAN lesión personal grave o mortal.

### ADVERTENCIA

**ADVERTENCIA** — Peligros o prácticas no seguras que PODRIAN causar lesión personal grave o mortal.

### ATENCION

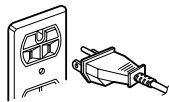
**ATENCION** — Peligros o prácticas no seguras que PODRIAN causar lesión personal menos grave.

### ADVERTENCIA

Para evitar el riesgo de un choque eléctrico o la muerte, este horno debe ser puesto a tierra y el enchufe no debe ser modificado.

## Instrucciones para la Puesta a Tierra

El horno **DEBE** ser puesto a tierra. La puesta a tierra reduce la



posibilidad de un choque eléctrico ofreciendo un alambre de escape para la corriente eléctrica si es que ocurre un cortocircuito. Este horno está equipado con un cordón eléctrico provisto de un enchufe con puesta a tierra. El enchufe debe ser enchufado en un tomacorriente que esté debidamente instalado y puesto a tierra.

Consulte a un electricista o técnico calificado si no comprende bien las instrucciones de puesta a tierra o si tiene dudas respecto a la puesta a tierra del horno.

**No use un cordón de extensión.** Si el cordón eléctrico del aparato es demasia-

do corto, solicite a un electricista calificado que instale un tomacorriente de tres alvéolos. Este horno debe ser enchufado en un circuito separado de 60 Hz y usado con la alimentación eléctrica mostrada en la tabla de especificaciones. Cuando el horno comparte el circuito con otros equipos, pueden ser necesarios tiempos de cocción más largos y los fusibles se pueden fundir.

El horno de microondas funciona con la corriente estándar del hogar de 110-120V.

## DECLARACION DE INTERFERENCIA DE RADIOFRECUENCIA DE LA COMISION FEDERAL DE COMUNICACIONES (EE.UU. SOLAMENTE)

Este equipo genera y usa energía de frecuencia ISM y si no es instalado y usado en forma debida, es decir en estricto cumplimiento con las instrucciones del fabricante, puede causar interferencia con la recepción de la radio y de la televisión. Se ha comprobado y confirmado que cumple con los límites estipulados para equipos ISM (Industriales, Científicos, Médicos) en virtud de la sección 18 del reglamentos de la FCC, que han sido diseñados para proveer protección razonable contra tal interferencia en una instalación residencial.

Sin embargo, no se garantiza que no ocurrirá interferencia en alguna instalación determinada. Si este equipo causa interferencia con la recepción de radio y de televisión, lo cual puede ser determinado apagando y encendiendo el equipo, se recomienda que el usuario trate de corregir la interferencia mediante una o más de las siguientes recomendaciones:

- Cambie de dirección la antena de recepción de la radio o televisión.
- Ubique en otro lugar el horno de microondas con respecto al receptor.
- Mueva el horno de microondas a un lugar alejado del receptor.
- Enchufe el microondas en un tomacorriente diferente de modo que el microondas y el receptor estén en circuitos diferentes.

**El fabricante** no es responsable de ninguna interferencia de radio o televisión causada por **modificación no autorizada** a este horno de microondas. Es responsabilidad del usuario corregir tal interferencia.

# CONSERVE ESTAS INSTRUCCIONES

# INSTRUCCIONES IMPORTANTES DE SEGURIDAD

## ATENCION

Cuando use aparatos eléctricos, se deben seguir instrucciones de seguridad básicas para reducir el riesgo de quemaduras, choque eléctrico, incendio, lesión a personas o exposición a energía microondas excesiva.

1. LEA todas las instrucciones antes de usar el horno.
2. LEA Y SIGA las "PRECAUCIONES ESPECIFICAS PARA EVITAR POSIBLE EXPOSICION A ENERGIA DE MICROONDAS EXCESIVA" en esta página.
3. Este horno DEBE SER PUESTO A TIERRA. Enchúfelo solamente en un tomacorriente PUESTO A TIERRA en forma debida. Vea las instrucciones de instalación.
4. Instale o ubique este horno SOLAMENTE de acuerdo con las instrucciones de instalación de este manual.
5. Algunos productos tales como huevos enteros y envases sellados – por ejemplo, frascos de vidrios cerrados – pueden explotar y **NO DEBEN** ser **CALENTADOS** en este horno.
6. Use este horno **SOLAMENTE** para el propósito que ha sido diseñado como se describe en este manual. No use productos químicos corrosivos o vapores en este horno. Este tipo de horno ha sido específicamente diseñado para calentar, cocinar o secar alimento. No ha sido diseñado para uso industrial o de laboratorio.
7. Al igual que con cualquier electrodoméstico, es necesaria una **SUPERVISION ESTRICTA** cuando es usado por **NIÑOS** o **PERSONAS ENFERMAS**.
8. Vea las instrucciones de limpieza de la puerta en la sección "Cuidado y Limpieza" en la página 79 de este manual.
9. Los frascos de alimentos de bebé deben ser abiertos para calentarlos y el contenido debe revolverse o sacudirse antes del consumo, para evitar quemaduras.
10. **NO** use este horno para propósitos comerciales. Fue fabricado para uso doméstico solamente.
11. **NO** caliente mamaderas en el horno.
12. **NO** haga funcionar este horno si el cordón eléctrico o el enchufe están dañados, si no está funcionando en forma debida o si se ha dañado o dejado caer.
13. Este horno, incluyendo el cordón eléctrico, debe ser reparado **SOLAMENTE** por personal de servicio calificado. Se requieren herramientas especiales para reparar este horno. Póngase en contacto con el centro de servicio autorizado más cercano para el examen, reparación o ajuste del horno.
14. **NO** cubra ni bloquee el filtro u otros orificios del horno.
15. **NO** guarde este horno al aire libre. **NO** use este producto cerca del agua – por ejemplo, cerca de un fregadero, en un sótano húmedo, cerca de una piscina o lugares similares.
16. **NO** sumerja el cordón eléctrico o el enchufe en el agua.
17. Mantenga el cordón eléctrico **ALEJADO** de las superficies **CALIENTES**.
18. **NO** deje que el cordón eléctrico cuelgue sobre el borde de la mesa o de la encimera.
19. Limpie con frecuencia la campana de ventilación.
20. No deje que se acumule grasa en la campana o en los filtros.
21. Tenga cuidado cuando limpie los filtros de la campana de ventilación. Los agentes de limpieza corrosivos tales como limpiadores de horno a base de lejía pueden dañar los filtros.
22. Cuando flamee alimentos debajo de la campana, encienda el ventilador.
23. Este horno puede usarse tanto sobre estufas a gas como eléctricas de 36 pulgadas o menos de ancho.

## PRECAUCIONES PARA EVITAR POSIBLE EXPOSICION A ENERGIA DE MICROONDAS EXCESIVA

- A. **NO** intente hacer funcionar este horno con la puerta abierta pues se puede producir exposición perjudicial a la energía de microondas. Es importante no modificar ni alterar los entrecierres de seguridad.
- B. **NO** coloque ningún objeto entre la parte delantera del horno y la puerta ni deje que se acumule suciedad o residuos de limpiadores en las superficies de sellado.
- C. **NO** haga funcionar este horno si está dañado. Es particularmente importante que la puerta del horno cierre bien y que no se haya dañado:
  1. la puerta (doblada)
  2. las bisagras y pestillos (rotos o sueltos)
  3. las juntas de la puerta y superficies de sellado.
- D. El horno no debe ser ajustado ni reparado por ninguna persona que no sea personal de servicio calificado.

**CONSERVE ESTAS INSTRUCCIONES**

# INSTRUCCIONES IMPORTANTES DE SEGURIDAD

## Reconozca este símbolo como un mensaje de **SEGURIDAD**

### **ADVERTENCIA**

A fin de evitar el peligro de incendio en la cavidad del horno:

- a. **NO** cocine demasiado el alimento. Preste cuidadosa atención al horno cuando coloque en su interior papel, plástico u otros materiales combustibles.
- b. Retire las ataduras de alambre de las bolsas de papel o de plástico antes de colocar la bolsa en el horno.
- c. Si algún material dentro del horno se enciende, mantenga la puerta del horno **CERRADA**. Apague el horno y desenchufe el cordón eléctrico o desconecte la energía eléctrica en el fusible o en el panel del disyuntor.
- d. **NO** use la cavidad del horno para almacenamiento. **NO** guarde artículos de papel, utensilios de cocina o alimentos en la cavidad del horno cuando no esté en uso.

### **ADVERTENCIA**

Los líquidos tales como el agua, café o té pueden calentarse más allá del punto de ebullición sin que parezca que están hirviendo debido a la tensión superficial del líquido. No siempre se verán las burbujas o hervor cuando el envase es retirado del horno. **ESTO PUEDE RESULTAR EN QUE LOS LIQUIDOS MUY CALIENTES SE DERRAMEN REPENTINAMENTE CUANDO SE INSERTA EN EL LIQUIDO UNA CUCHARA U OTRO UTENSILIO.** Para reducir el riesgo de lesión a personas:

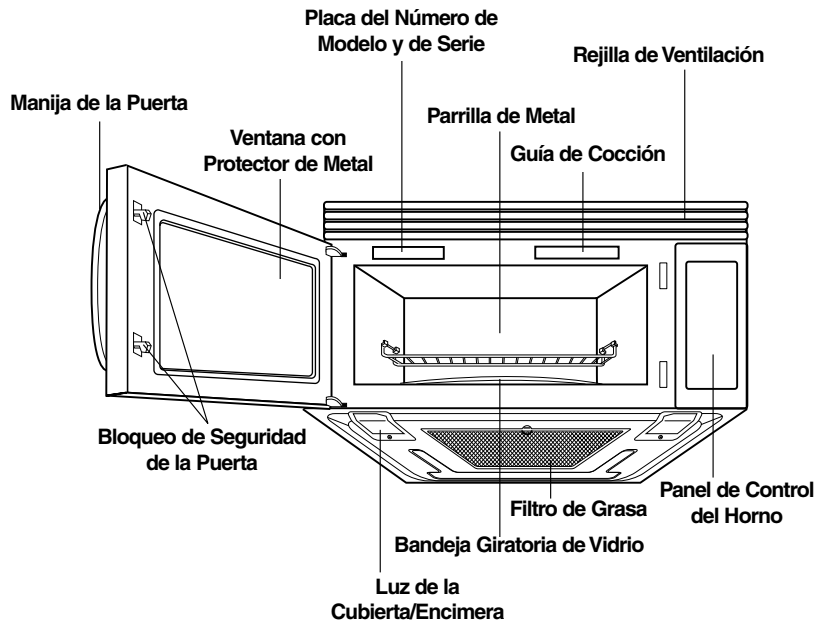
1. No sobrecaliente el líquido.
2. Revuelva el líquido antes y a la mitad de calentarse.
3. No use envases con lados rectos y cuellos estrechos.
4. Después de calentar, deje el envase en el horno de microondas por un corto tiempo antes de retirarlo.
5. Use extremo cuidado cuando inserte una cuchara u otro utensilio en el contenedor.

### **ATENCION**

Para evitar lesión personal o daños materiales observe lo siguiente:

1. No fría con grasa en el horno. La grasa puede sobrecalentarse y ser peligrosa de manipular.
2. No cocine ni recaliente huevos enteros o con una yema no rota usando energía de microondas. Puede haber acumulación de presión y reventar. Perfore la yema con el tenedor o un cuchillo antes de cocinar.
3. Perfore la cáscara de las papas, tomates y alimentos similares antes de cocinarlos con energía microondas. Cuando la cáscara es perforada, el vapor escapa uniformemente.
4. No haga funcionar el horno sin tener alimentos en su interior.
5. Use solamente palomitas de maíz en envases diseñados y etiquetados para uso en microondas. Las palomitas de maíz comienzan a reventar en distintos momentos dependiendo de los vatios del horno. No continúe calentando después de que han dejado de reventar. Las palomitas se quemarán. No deje el horno sin supervisión.
6. No use termómetros regulares de cocina en el horno. La mayoría de los termómetros de cocina contienen mercurio y pueden causar un arco eléctrico, malfuncionamiento o daño al horno.
7. No use utensilios metálicos en el horno.
8. Nunca use papel, plástico u otros materiales combustibles que no estén destinados para cocinar con ellos.
9. Cuando cocine con papel, plástico u otros materiales combustibles, siga las recomendaciones del fabricante sobre el uso del producto.
10. No use toallas de papel que contengan nilón u otra fibra sintética. Las fibras sintéticas calentadas pueden derretirse y encender el papel.
11. No caliente bolsas de plástico ni envases sellados en el horno. El líquido o el alimento puede expandirse rápidamente y causar la rotura del envase o de la bolsa. Perfore o abra el envase o la bolsa antes de cocinar.
12. Para evitar malfuncionamiento de marcapasos, consulte a su médico o al fabricante del marcapaso respecto a los efectos de la energía de microondas en el marcapaso.

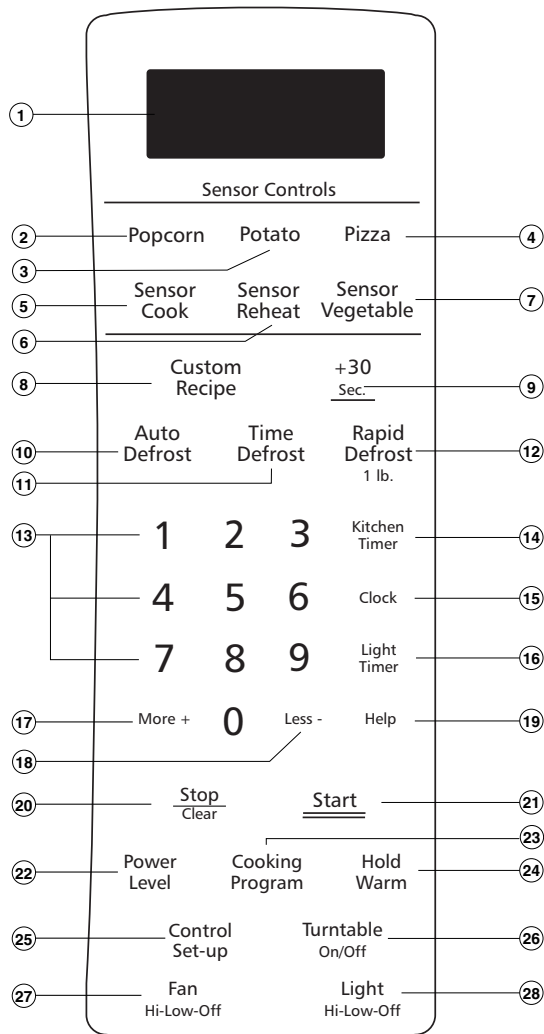
## CONSERVE ESTAS INSTRUCCIONES



## ESPECIFICACIONES DEL HORNO

Alimentación Eléctrica	120 VCA, 60 Hz
Potencia de Entrada	1.500 W
Potencia de Cocción	1.000 W (Norma 60705 IEC)
Frecuencia	2.450 MHz
Potencia Nominal	13 A
Dimensiones Exteriores (Ancho x Alto x Profundidad)	29 <sup>15</sup> / <sub>16</sub> " (76,0 cm) x 16 <sup>7</sup> / <sub>16</sub> " (41,8 cm) x 15 <sup>5</sup> / <sub>8</sub> " (39,7 cm)
Capacidad Interior	1,9 Pies <sup>3</sup> (0,054 m <sup>3</sup> )
Peso Neto	60 libras (27,2 kg)

## JMV8196AA/AC



## JMV8196AAS/ACS



## CARACTERÍSTICAS

**NOTA:** El estilo y las características varían según el modelo.

1. **'DISPLAY'** (Pantalla Digital): La pantalla incluye un reloj e indicadores que muestran la hora del día, los ajustes de tiempo de cocción y las funciones de cocción seleccionadas.
  2. **'POPCORN'** (Palomitas de Maíz): Oprima esta tecla cuando prepare palomitas de maíz en su horno de microondas. El sensor del horno calculará el tiempo de cocción dependiendo de la cantidad de humedad que detecte en el maíz. Ver mayor información en la página 67.
  3. **'POTATO'** (Papa): Oprima esta tecla para asar papas. El sensor del horno calculará el tiempo de cocción dependiendo de la cantidad de humedad que detecte en la papa. Ver mayor información en la página 68.
  4. **'PIZZA'** (Pizza): Oprima esta tecla para recalentar pizza. El sensor del horno calculará el tiempo de cocción dependiendo de la cantidad de humedad que detecte en la pizza. Ver mayor información en la página 68.
  5. **'SENSOR COOK'** (Cocción por Sensor): Oprima esta tecla para cocinar platillos principales, cacerolas y arroz congelado. El sensor del horno calculará el tiempo de cocción dependiendo de la cantidad de humedad que despida el alimento. Ver mayor información en la página 68.
  6. **'SENSOR REHEAT'** (Recalentar por Sensor): Oprima esta tecla para recalentar cacerolas, platos de servir y sopas/salsa. El sensor del horno calculará el tiempo de cocción dependiendo de la cantidad de humedad que despida el alimento. Ver mayor información en la página 69.
  7. **'SENSOR VEGETABLE'** (Vegetales por Sensor): Oprima esta tecla para cocinar vegetales. El sensor del horno calculará el tiempo de cocción dependiendo de la humedad que detecte en los vegetales. Ver mayor información en la página 68.
  8. **'CUSTOM RECIPE'** (Receta Personalizada): Oprima esta tecla para recuperar una instrucción de cocción anteriormente programada en la memoria. Ver mayor información en la página 65.
  9. **'+ 30 SEC'** (Agregar 30 segundos): Oprima esta tecla para ajustar y comenzar rápidamente en el nivel de potencia de 100%. Ver mayor información en la página 64.
  10. **'AUTO DEFROST'** (Descongelación Automática): Carne de res, carne de ave, pescado. Oprima esta tecla para seleccionar el tipo de alimento y descongelar alimentos según el peso. Ver mayor información en la página 69.
  11. **'TIME DEFROST'** (Tiempo de Descongelación): Oprima esta tecla para descongelar la mayoría de otros alimentos congelados. Ver mayor información en la página 73.
  12. **'RAPID DEFROST 1 lb'** (Descongelación Rápida de 1 libra [0,45 kg]): Esta tecla ofrece descongelación RAPIDA para 1 libra [0,45 kg] de alimento congelado. Ver mayor información en la página 73.
  13. **'NUMBER'** (Número): Oprima las teclas numéricas para indicar el tiempo de cocción, el nivel de potencia, cantidades o pesos.
  14. **'KITCHEN TIMER'** (Temporizador de la Cocina): Oprima esta tecla para ajustar el temporizador de la cocina. Ver mayor información en la página 63.
  15. **'CLOCK'** (Reloj): Oprima esta tecla para colocar la hora del día. Ver mayor información en la página 63.
  16. **'LIGHT TIMER'** (Temporizador de la Luz): Oprima esta tecla para ajustar el temporizador de la luz. Ver mayor información en la página 64.
  17. **'MORE'** (Más): Oprima esta tecla para agregar 10 segundos al tiempo de cocción cada vez que usted la oprime. Ver mayor información en la página 65.
  18. **'LESS'** (Menos): Oprima esta tecla para quitar 10 segundos al tiempo de cocción cada vez que usted la oprime. Ver mayor información en la página 65.
  19. **'HELP'** (Ayuda): Oprima esta tecla para aprender el uso de cada función del horno. Ver mayor información en la página 63.
  20. **'STOP/CLEAR'** (Apagar/Anular): Oprima esta tecla para apagar el horno o anular todas las entradas.
  21. **'START'** (Puesta en Marcha): Oprima esta tecla para poner en marcha una función. Si usted abre la puerta después de que el horno comienza a cocinar, oprima la tecla 'START' nuevamente.
  22. **'POWER LEVEL'** (Nivel de Potencia): Oprima esta tecla para seleccionar un nivel de potencia de cocción.
  23. **'COOKING PROGRAM'** (Programa de Cocción): Oprima esta tecla para establecer un tiempo de cocción.
  24. **'HOLD WARM'** (Mantener caliente): Oprima esta tecla para mantener calientes los alimentos cocinados en el horno hasta durante 99 minutos 99 segundos. Ver mayor información en la página 64.
  25. **'CONTROL SET-UP'** (Ajuste de los controles): Oprime esta tecla para cambiar los ajustes implícitos del horno tales como el sonido, el reloj, la velocidad de despliegue de la pantalla y el peso de descongelación. Ver mayor información en la página 63.
  26. **'TURNTABLE ON/OFF'** (Bandeja Giratoria Encendida/Apagada): Oprima esta tecla para apagar la bandeja giratoria. La palabra 'OFF' aparecerá en la pantalla. Ver mayor información en la página 63.
- NOTA:** Esta opción está disponible en los modos de cocción con sensor y descongelación.
27. **'FAN HI-LOW-OFF'** (Ventilador Alto, Bajo, Apagado): Oprima esta tecla para apagar o encender el ventilador. Ver mayor información en la página 63.
  28. **'LIGHT HI-LOW-OFF'** (Luz Alta, Baja, Apagada): Oprima esta tecla para encender la luz de la cubierta/encimera. Ver mayor información en la página 64.

## CONOZCA SU HORNO DE MICROONDAS

En esta sección se describen los conceptos de la cocción con microondas y los conocimientos básicos que necesita para hacer funcionar su horno de microondas. Por favor lea esta información antes de usarlo.

### ATENCION

- > Para evitar el riesgo de sufrir una lesión personal o daño material, no haga funcionar el horno vacío.
- > Para evitar el riesgo de sufrir una lesión personal o daño material, no use en el horno utensilios de grés, papel de aluminio, utensilios de metal o con adornos de metal.

## 'HELP'

La tecla 'HELP' despliega información sobre las características y consejos útiles. Oprima 'HELP', luego seleccione una tecla.

**Ejemplo: Para obtener ayuda para preparar 'POPCORN'.**

- Help
1. Oprima la tecla 'HELP'.
  2. Oprima la tecla 'POPCORN'.
- Popcorn

## 'CLOCK'

Este horno tiene un reloj de 24 horas.

**Ejemplo: Para poner el reloj a las 8:00 AM.**

- Clock
1. Oprima la tecla 'CLOCK' (Oprima una vez para AM, dos veces para PM)
  2. Programe la hora usando las teclas numéricas.
  3. Oprima la tecla 'CLOCK' (o 'START').
- 8 0 0
- Clock

## 'KITCHEN TIMER'

Usted puede usar su horno de microondas como un temporizador. Use 'TIMER' para programar hasta 99 minutos, 99 segundos.

**Ejemplo: Para programar 3 minutos.**

- Kitchen  
Timer
- 3 0 0
- Start
1. Oprima la tecla 'KITCHEN TIMER'.
  2. Programe el tiempo usando las teclas numéricas.
  3. Oprima la tecla 'START'. Cuando el tiempo haya transcurrido, usted oírá siete señales sonoras y en la pantalla aparecerá 'END' (Fin).

## 'CONTROL SET-UP'

Usted puede cambiar los valores implícitos de las señales sonoras, del reloj, de la velocidad de despliegue de la pantalla y del peso de descongelación.

Vea la tabla siguiente para mayor información.

No.	Función	No.	Resultado
1	Señal Sonora Activa/Inactiva	1	Activa
		2	Inactiva
2	Despliegue del Reloj	1	Activa
		2	Inactiva
3	Pantalla	1	Lenta
		2	Normal
		3	Rápida
4	Medida del Peso de Descongelación	1	Libras
		2	Kg.

**Ejemplo: Para cambiar la unidad de medida del peso de descongelación (de libras a kg).**

- Control  
Set-up
- 4
- 2
1. Oprima la tecla 'CONTROL SET-UP'.
  2. Oprima la tecla número 4.
  3. Oprima la tecla número 2.

## 'FAN HI-LOW-OFF'

El ventilador mueve el vapor y otros humos de la superficie de cocción. Oprima la tecla 'FAN' una vez para ventilador de alta velocidad, dos veces para ventilador de baja velocidad o tres veces para apagar el ventilador.

**NOTA:** Si la temperatura está demasiado caliente alrededor del horno de microondas, el ventilador en la campana de ventilación automáticamente se pondrá en marcha en velocidad BAJA para enfriar el horno. Puede permanecer en funcionamiento hasta una hora. Cuando esto suceda, **no se puede apagar el ventilador.**

## 'TURNTABLE ON/OFF'

Para obtener mejores resultados de la cocción mantenga activa la bandeja giratoria activa. Se puede desactivar cuando use platos grandes.

Oprima la tecla 'TURNTABLE ON/OFF' para activar o desactivar la bandeja giratoria.

**NOTA:**

- Esta opción no está disponible en los modos de cocción con sensor y descongelación.
- **Algunas veces la bandeja giratoria está muy caliente.** Tenga cuidado al tocar la bandeja durante y después de la cocción.
- **No haga funcionar el horno vacío.**

# Funcionamiento (cont.)

## ‘CHILD LOCK’ (Bloqueo para niños)

Usted puede bloquear el panel de control para evitar que el microondas sea accidentalmente puesto en marcha o usado por los niños.

La característica de bloqueo para niños también es útil cuando limpie el panel de control. El bloqueo además evita la programación accidental cuando se está limpiando el panel de control.

**Ejemplo: Para programar el bloqueo para niños.**

Stop  
Clear

0

1. Oprima la tecla ‘STOP/CLEAR’.
2. Oprima y mantenga oprimida la tecla **0** durante más de 4 segundos. La palabra ‘LOCKED’ (Bloqueado) aparecerá en la pantalla y se escucharán dos señales sonoras.

**Ejemplo: Para cancelar el bloqueo para niños.**

0

1. Oprima y mantenga oprimida la tecla **0** durante más de 4 segundos. La palabra ‘LOCKED’ desaparecerá y usted oírá dos señales sonoras.

## ‘LIGHT HI-LOW-OFF’

Light  
Hi-Low-Off

- Oprima la tecla ‘LIGHT’ una vez para luz brillante, dos veces para luz nocturna o tres veces para apagar la luz.

## ‘LIGHT TIMER’

Usted puede ajustar la **LUZ** para encenderse y apagarse automáticamente en cualquier momento. La luz se enciende a la misma hora todos los días hasta que sea reprogramada.

**Ejemplo: Para que la luz se encienda a las 2:00 AM y se apague a las 7:00 AM.**

Light  
Timer

2 0 0

Light  
Timer

7 0 0

Start

1. Oprima la tecla ‘LIGHT TIMER’. (Oprima una vez para AM, dos veces para PM.)
2. Indique la hora en que usted desea que la LUZ se encienda.
3. Oprima la tecla ‘LIGHT TIMER’ nuevamente. (Oprima una vez para AM, dos veces para PM).
4. Indique la hora en que usted desea que la LUZ se apague.
5. Oprima la tecla ‘START’.

**NOTA:**

- Para cambiar la hora en que la LUZ se encienda y apague, repita del paso 1 al 5.

**Ejemplo: Para cancelar el TEMPORIZADOR DE LA LUZ.**

Light  
Timer

Stop  
Clear

1. Oprima la tecla ‘LIGHT TIMER’
2. Oprima la tecla ‘STOP/CLEAR’

**NOTA:**

- Si usted desea cancelar el TEMPORIZADOR DE LA LUZ cuando esté en funcionamiento, oprima la tecla **Light Hi-Low-Off**

## ‘+ 30 SEC.’

Esta tecla ahorra tiempo y le permite programar rápidamente y poner en marcha la cocción sin la necesidad de apretar la tecla ‘START’.

**Ejemplo: Para programar un período de dos minutos con la tecla ‘+ 30 SEC.’**

+30  
Sec.

1. Oprima la tecla ‘+ 30 SEC’ 4 veces. El horno comienza a cocinar y muestra la cuenta regresiva del tiempo.

**NOTA:**

- Si usted oprime ‘+ 30 SEC.’, agregará 30 segundos hasta 3 minutos. Después de 3 minutos, cada vez que oprima la tecla agregará 1 minuto hasta 99 minutos, 59 segundos.

## ‘HOLD WARM’

Usted puede mantener caliente el alimento cocinado en su horno de microondas hasta durante 99 minutos y 99 segundos. Usted puede usar la tecla ‘HOLD WARM’ por si sola o a seguir un ciclo de cocción automáticamente.

**Ejemplo: Para usar ‘HOLD WARM’.**

Hold  
Warm

Start

1. Oprima la tecla ‘HOLD WARM’.
2. Oprima la tecla ‘START’.

**NOTAS:**

- ‘HOLD WARM’ funciona hasta durante 99 minutos, 99 segundos.
- El **alimento que se cocine tapado** debe estar tapado durante ‘HOLD WARM’.
- **Los artículos de pastelería** (pays, empanadas dulces) no deben estar tapados durante ‘HOLD WARM’.
- **Las comidas completas** mantenidas calientes en un plato de servir pueden cubrirse durante ‘HOLD WARM’.



Tipo de Alimento	Cantidad Recomendada
Líquido	1 a 2 tazas (237 a 473 mL)
Seco	5 a 10 onzas (177 a 296 mL)

**Para activar automáticamente la función 'HOLD WARM' después de la ejecución de otro ciclo de cocción:**

- Cuando esté programando las instrucciones de cocción, oprima 'HOLD WARM' antes de oprimir 'START'.
- Cuando se termina el último ciclo de cocción, se oirán dos señales sonoras y 'WARM' aparecerá en la pantalla del horno.
- Usted puede programar 'HOLD WARM' para que siga al ciclo 'AUTO DEFROST' o a cocción con ciclos múltiples.

## 'CUSTOM RECIPE'

La tecla 'CUSTOM RECIPE' le permite recuperar una instrucción de cocción previamente guardada en la memoria y comenzar a cocinar rápidamente.

**Ejemplo: Para cocción de 2 minutos.**

Custom  
Recipe  
2 0 0  
Start

1. Oprima la tecla 'CUSTOM RECIPE'.
2. Indique el tiempo de cocción.
3. Oprima la tecla 'START'.

**Ejemplo: Para recuperar la receta personalizada.**

Custom  
Recipe  
Start

1. Oprima la tecla 'CUSTOM RECIPE'.
  2. Oprima la tecla 'START'.
- Cuando se acaba el tiempo de cocción, usted oirá cuatro señales sonoras y en la pantalla aparecerá 'END'.

## 'MORE/LESS'

Usando las teclas 'MORE' o 'LESS', todas las características de cocción y tiempo de cocción pueden ser ajustadas para cocinar el alimento por un tiempo más largo o más corto.

Si oprime 'MORE' agregará 10 segundos de tiempo de cocción cada vez que oprima la tecla. Si oprime 'LESS' quitará 10 segundos del tiempo de cocción cada vez que la oprime.

## COCCION CON NIVELES DE POTENCIA ALTOS

**Ejemplo: Para cocinar alimento durante 8 minutos, 30 segundos a un nivel de potencia de 100%.**

8 3 0

Start

1. Indique el tiempo de cocción.
2. Oprima la tecla 'START'.

Cuando se acabe el tiempo de cocción, usted oirá cuatro señales sonoras y en la pantalla aparecerá 'END'.

## COCCION CON NIVELES DE POTENCIA INFERIORES

La cocción en el nivel de potencia 'HIGH' no siempre le da los mejores resultados con los alimentos que necesitan ser cocinados más lentamente, tales como asados, alimentos horneados o flanes. Su horno tiene 10 ajustes de potencia además de 'HIGH'.

**Ejemplo: Para cocinar alimento durante 7 minutos, 30 segundos a un nivel de potencia de 70%.**

7 3 0

Power  
Level  
7

1. Programe el tiempo de cocción.
2. Oprima la tecla 'POWER LEVEL'.
3. Programe el nivel de potencia.

## Start

4. Oprima la tecla 'START'.

Cuando se termina el tiempo de cocción, usted oirá cuatro señales sonoras y en la pantalla aparecerá 'END'. Vea los niveles de potencia en la página 66 de la guía de cocción.

## PARA COCINAR USANDO VARIOS NIVELES DIFERENTES DE POTENCIA

Para obtener los mejores resultados, algunas recetas recomiendan un nivel de potencia durante un período de tiempo y otro nivel de potencia para otro período de tiempo. Su horno puede ser programado para cambiar de uno a otro automáticamente, hasta tres ciclos si es que el primer ciclo de calentamiento es congelación o el último es al nivel de potencia 0%.

**Ejemplo: Para cocinar alimento durante 3 minutos al nivel de potencia 100% y luego a un nivel de potencia 70% durante 7 minutos, 30 segundos.**

3 0 0

Cooking  
Program

7 3 0

Power  
Level

7

Start

1. Programe el tiempo de cocción.
2. Oprima la tecla 'COOKING PROGRAM'.
3. Programe el segundo tiempo de cocción.
4. Oprima la tecla 'POWER LEVEL'.
5. Indique el nivel de potencia.
6. Oprima la tecla 'START'.

Cuando se acabe el tiempo de cocción, usted oirá cuatro señales sonoras y en la pantalla aparecerá 'END'.

# Funcionamiento (cont.)

## GUIA DE COCCION PARA NIVELES DE POTENCIA INFERIORES

Los 10 niveles de potencia, además del nivel 'HIGH' (Alto) le permiten seleccionar el mejor nivel de potencia para el alimento que está cocinando. A continuación se indican todos los niveles de potencia, ejemplos de alimentos que se cocinan mejor en cada nivel y la cantidad de potencia de microondas que usted está usando.

NIVEL DE POTENCIA	POTENCIA DE MICROONDAS	USO
10 High (Alto)	100%	<ul style="list-style-type: none"><li>• Hervir agua.</li><li>• Cocinar carne de res molida.</li><li>• Hacer dulces.</li><li>• Cocción de frutas y vegetales frescos.</li><li>• Cocción de pescado y carne de ave.</li><li>• Precalentamiento de un plato para dorar.</li><li>• Recalentar bebidas.</li><li>• Rebanadas de tocino.</li></ul>
9	90%	<ul style="list-style-type: none"><li>• Recalentar rápidamente rebanadas de carne.</li><li>• Sofreír cebollas, apio y pimientos verdes.</li></ul>
8	80%	<ul style="list-style-type: none"><li>• Todo tipo de recalentamiento.</li><li>• Cocinar huevos revueltos.</li></ul>
7	70%	<ul style="list-style-type: none"><li>• Cocinar panes y productos a base de cereales.</li><li>• Cocinar platillos con queso, ternera.</li><li>• Cocinar pasteles, panquecitos, bizcochitos de chocolate.</li></ul>
6	60%	<ul style="list-style-type: none"><li>• Cocinar fideos.</li></ul>
5	50%	<ul style="list-style-type: none"><li>• Cocinar carnes, pollo entero..</li><li>• Cocinar budines.</li><li>• Cocinar pollos enteros, pavo, costillas, asado de costillas, asado de horno.</li></ul>
4	40%	<ul style="list-style-type: none"><li>• Cocinar cortes de carnes menos tiernos.</li><li>• Recalentar alimentos congelados.</li></ul>
3	30%	<ul style="list-style-type: none"><li>• Descongelar carne de res, de ave y mariscos.</li><li>• Cocinar pequeñas cantidades de alimento.</li><li>• Terminar la cocción de una cacerola, estofado y algunas salsas.</li></ul>
2	20%	<ul style="list-style-type: none"><li>• Ablandar mantequilla y queso crema.</li><li>• Calentar cantidades pequeñas de alimento.</li></ul>
1	10%	<ul style="list-style-type: none"><li>• Suavizar helado.</li><li>• Leudar masa con levadura.</li></ul>
0		<ul style="list-style-type: none"><li>• Período de espera.</li></ul>

## INSTRUCCIONES DE FUNCIONAMIENTO DEL SENSOR

La cocción por sensor le permite cocinar la mayoría de sus alimentos favoritos sin seleccionar los tiempos de cocción ni los niveles de potencia. La pantalla mostrará 'SENSING' durante el período de detección inicial. El horno determina automáticamente el tiempo de cocción requerido para cada tipo de alimento. Cuando el sensor interno detecta una cierta cantidad de humedad proveniente del alimento, informará al horno sobre cuanto más tiempo debe calentar. La pantalla mostrará el tiempo de calentamiento restante. Para obtener mejores resultados de la cocción por sensor, siga estas recomendaciones.

1. Los alimentos cocinados con el sistema sensor deben estar a temperatura normal de conservación.
2. La bandeja giratoria y la parte exterior del envase deben estar secos para asegurar mejores resultados de la cocción.
3. Los alimentos deben estar siempre cubiertos holgadamente con envoltura de plástico, papel encerado o una tapa resistente al microondas.
4. No abra la puerta ni toque la tecla 'STOP/CLEAR' durante el tiempo de detección. Cuando se acaba el tiempo de detección, el horno emite dos señales sonoras y el resto del tiempo de cocción aparecerá en la pantalla. En este momento usted puede abrir la puerta para revolver, dar vuelta o reorganizar el alimento.

## GUIA DE COCCION POR SENSOR

Para asegurar buenos resultados con la cocción por sensor, use envases y tapas apropiadas.

1. Siempre use envases resistentes al microondas y cúbralos con tapas o envoltura de plástico ventilada.
2. Nunca use tapas de plástico herméticas. Estas pueden evitar que escape el vapor y el alimento puede sobrecoarse.
3. Haga coincidir la cantidad de alimento con el tamaño del envase. Llene los envases por lo menos hasta la mitad para obtener mejores resultados.
4. Asegúrese de que la parte externa del envase y el interior del horno de microondas estén secos antes de colocar el alimento en el horno. Las gotas de humedad se convierten en vapor lo cual puede dar la información incorrecta al sensor.

## AUMENTO O REDUCCION DEL TIEMPO DE COCCION

Si la función del SENSOR es demasiado larga o demasiado corta, usted puede aumentar o disminuir el tiempo de cocción en 10% después de seleccionar la función. Usted puede solamente aumentar o disminuir tiempo de cocción antes de comience la cocción.

**Ejemplo: Ejemplo: Si usted desea ajustar el tiempo de cocción por sensor para un período más largo si está cocinando una cacerola.**

Sensor  
Cook

1. Oprima la tecla 'SENSOR COOK'.

2. Seleccione el tipo de alimento.
3. Oprima la tecla número 9.

Tiempo de Cocción	Número de la Tecla
Less (Menos)	7
Normal	8
More (Más)	9

## 'POPCORN'

La tecla 'POPCORN' le permite preparar en el microondas bolsas de maíz de palomitas comercialmente envasado de 1,75, 3 y 3,5 onzas (50, 85 y 99 g). Prepare solamente un paquete a la vez. Si usted está usando un dispositivo especial para preparar palomitas de maíz en el microondas, siga las instrucciones del fabricante del dispositivo.

**Ejemplo: Para preparar palomitas de maíz.**

Popcorn 1. Oprima la tecla 'POPCORN'.

Cuando termine el tiempo de cocción, usted escuchará cuatro señales sonoras y en la pantalla aparecerá 'END'.

- Cantidades recomendadas: 1,75 a 3,5 onzas (50 a 99 g).



### ATENCIÓN

NO deje el horno de microondas desatendido cuando esté preparando palomitas de maíz.

# Funcionamiento (cont.)

## ‘PIZZA’

Usando la tecla ‘PIZZA’ usted puede recalentar una o varias rebanadas de pizza sin seleccionar los tiempos de cocción ni los niveles de potencia.

**Ejemplo: Para recalentar dos rebanadas de pizza.**

- Pizza**
1. Oprima la tecla ‘PIZZA’.
- Cuando el tiempo de cocción se haya acabado, usted escuchará cuatro señales sonoras y en la pantalla aparecerá ‘END’.

- Cantidades recomendadas: 1 a 3 rebanadas (aproximadamente 5 onzas (142 g) por rebanada).

## ‘POTATO’

La tecla ‘POTATO’ le permite asar una o varias papas sin seleccionar los tiempos de cocción ni los niveles de potencia.

### NOTA:

- Antes de asar, perfore la papa con el tenedor varias veces.
- Después de asar, deje reposar durante 5 minutos.

**Ejemplo: Para cocinar 2 papas.**

- Potato**
1. Oprima la tecla ‘POTATO’.
- Cuando el tiempo de cocción se haya terminado, usted escuchará cuatro señales sonoras y en la pantalla aparecerá ‘END’.

- Cantidades recomendadas: 1 a 4 papas (alrededor de 9 a 11 onzas (255 a 312 g) cada una).

## ‘SENSOR VEGETABLE’

La tecla ‘SENSOR VEGETABLE’ tiene niveles de potencia programados para 3 categorías de alimentos: **Fresh (frescos), Frozen (congelados) y Canned (enlatados).**

**Ejemplo: Para cocinar vegetales congelados.**

- Sensor Vegetable**
1. Oprima la tecla ‘SENSOR VEGETABLE’.
  2. Seleccione la categoría de alimento.

2

Categoría	Número de la Tecla
Fresh (Fresco)	1
Frozen (Congelado)	2
Canned (Enlatado)	3

Cuando el tiempo de cocción ha terminado, usted oírás cuatro señales sonoras y en la pantalla aparecerá ‘END’.

**NOTA:** Coloque los vegetales enlatados en una fuente o cacerola resistente al microondas. Cubra con envoltura de plástico y ventile. Deje reposar 5 minutos.

- Cantidades recomendadas: 1 a 4 tazas.
- Se recomienda 1/4” a 1/2” (0,6 a 1,3 cm) de ventilación en la tapa.

## ‘SENSOR COOK’

La tecla ‘SENSOR COOK’ le permite calentar alimentos preparados en el microondas sin necesidad de programar los tiempos de cocción ni los niveles de potencia. La opción ‘SENSOR COOK’ tiene programados niveles de potencia para 3 categorías de alimentos: **Frozen Entree (platillo principal congelado), Casserole (cacerola) y Rice (arroz).**

**Ejemplo: Para cocinar arroz.**

- Sensor Cook**
1. Oprima la tecla ‘SENSOR COOK’.
  2. Seleccione la categoría de alimento.

3

Categoría	Número de la Tecla
Frozen Entree (Platillo Principal Congelado)	1
Casserole (Cacerola)	2
Rice (Arroz)	3

Cuando el tiempo de cocción ha terminado, usted oírás cuatro señales sonoras y en la pantalla aparecerá ‘END’.

- Cantidades recomendadas:

Frozen Entree (Platillo Principal Congelado)	10 a 21 onzas (283 a 595 g)
Casserole (Cacerola)	1 a 4 tazas (237 a 946 mL)
Rice (Arroz)	1/2 - 2 tazas (118 a 473 mL)

**NOTA:** Use solamente arroz de grano largo con la opción de cocción por sensor. Vea en la página 78 como cocinar otros tipos de arroz.

## ‘SENSOR REHEAT’

La tecla ‘SENSOR REHEAT’ le permite calentar alimentos sin necesidad de programar el tiempo ni el nivel de potencia.

La opción ‘SENSOR REHEAT’ tiene programados niveles de potencia para 3 categorías: **Casserole (cacerola)**, **Dinner Plate (platillo)** y **Soup/Sauce (sopa/salsa)**.

**Ejemplo: Para recalentar una cacerola.**

### Sensor Reheat

1

- Oprima la tecla ‘SENSOR REHEAT’.
- Seleccione la categoría de alimento.

Categoría	Número de la Tecla
Casserole (Cacerola)	1
Dinner Plate (Platillo)	2
Soup/Salsa (Sopa/Salsa)	3

Cuando el tiempo de cocción ha terminado, usted oirá cuatro señales sonoras y en la pantalla aparecerá ‘END’.

- Cantidades recomendadas:

Casserole (Cacerola)	10 a 21 onzas (283 a 595 g)
Dinner Plate (Platillo)	1 a 4 porciones
Soup/Sauce (Sopa/Salsa)	1 a 4 tazas (237 a 946 mL)

## ‘AUTO DEFROST’

Su horno microondas ha sido programado con tres secuencias de descongelación. Usando ‘AUTO DEFROST’ es la mejor manera de descongelar alimentos congelados. La tabla de secuencia de descongelación automática que se incluye a continuación le proporciona algunas pautas básicas para usar las tres secuencias de descongelación.

Vea las instrucciones para ‘Auto Defrost’, en las páginas 71 y 72.

**Ejemplo: Para descongelar 1,2 libras (0,54 kg) de carne de res molida.**

### Auto Defrost

1

- Oprima la tecla ‘AUTO DEFROST’.
- Seleccione la categoría de alimento.

Categoría	Número de la Tecla
Meat (Carne de Res)	1
Poultry (Carne de Ave)	2
Fish (Pescado)	3

1 2

### Start

- Indique el peso.
- Oprima la tecla ‘START’.

**NOTA:** Cuando se oprime la tecla ‘START’, la pantalla cambia a la cuenta regresiva del tiempo de descongelación. El horno emitirá una señal sonora durante el ciclo ‘DEFROST’. Cuando escuche la señal sonora, abra la puerta y de vuelta el alimento, separe o arréglo. Retire cualquier porción que ya se haya descongelado. El horno no se APAGARA durante la señal sonora a menos que la puerta sea abierta.

### Start

- Cierre la puerta y vuelva a poner en marcha el horno.

Cuando el tiempo de descongelación haya terminado, usted oirá cuatro señales sonoras y en la pantalla aparecerá ‘END’.

**NOTA:** Si usted no abre la puerta del horno, la pantalla continuará mostrando la cuenta regresiva.

# Funcionamiento (cont.)

## TABLA DE CONVERSION DE PESOS

Para indicar el peso del alimento en 'AUTO DEFROST', usted debe especificar las libras y las décimas de una libra. Si el peso en el envase del alimento está en fracciones de una libra, usted puede usar la siguiente tabla para convertir el peso a **decimales**.

Peso Equivalente en Onzas	Décimas de libra
1,6	0,10
3,2	0,20
4	0,25 (1/4 de libra)
4,8	0,30
6,4	0,40
8	0,50 (1/2 libra)
9,6	0,60
11,2	0,70
12	0,75 (3/4 de libra)
12,8	0,80
14,4	0,90
16	1 (1 libra)

## CONSEJOS PARA LA DESCONGELACION

- Cuando use 'AUTO DEFROST', el peso que debe indicarse es el peso neto en libras y décimas de libra (el peso del alimento menos el envase).
- Use 'AUTO DEFROST' solamente para alimentos crudos. 'AUTO DEFROST' da mejores resultados cuando el alimento que va ser descongelado tiene una temperatura mínima de 0° F (-18° C) (sacado directamente de un congelador). Si el alimento ha sido guardado en un refrigerador/congelador y no mantiene una temperatura de 5° F (-15° C) o menos, siempre programe un peso más bajo (para un tiempo de descongelación más corto) para evitar que el alimento se cocine.
- Si el alimento es guardado fuera del congelador durante 20 minutos indique un peso más bajo.
- La forma del paquete altera el tiempo de descongelación. Los envases rectangulares poco profundos se descongelan más rápidamente que un bloque profundo.
- Separe los pedazos a medida que comienzan a descongelarse. Los pedazos separados se descongelan más rápidamente.
- Usted puede usar pequeños pedazos de papel de aluminio para proteger los alimentos como las alas de pollo, extremos de las patas y colas de pescado, pero el papel de aluminio no debe tocar las paredes del horno. El papel de aluminio causa arco eléctrico lo cual puede dañar el forro del horno.
- Proteja las áreas del alimento que comienzan a calentarse con pequeños pedazos de aluminio.
- Para obtener mejores resultados, el tiempo de descongelación incluye un tiempo de espera prefijado.
- Para obtener mejores resultados, coloque el alimento que va a ser descongelado en una parrilla resistente al microondas. Esto evita la posibilidad de que los jugos calientes de la carne cocinen el alimento durante la descongelación.

## TABLA DE DESCONGELACION AUTOMATICA

### Ajuste 'Meat' (Carne)

ALIMENTO	AJUSTE	CUANDO SUENE LA SEÑAL SONORA	INSTRUCCIONES SPÉCIALES
<b>CARNE DE RES</b>			La carne de forma irregular y los cortes de carne grasosos deben tener las secciones angostas o grasosas protegidas con papel de aluminio al comienzo de una secuencia de descongelación
Carne de Res Molida, al peso	MEAT (CARNE)	Retire las porciones descongeladas con un tenedor. De vuelta. Coloque el resto de nuevo en el horno.	No descongele menos de 1/4 de libra (0,1 kg). Congele en forma de una rosquilla.
Carne de Res Molida, hamburguesas	MEAT	Separe y arregle de nuevo.	No descongele menos de 2 onzas (57 g) de hamburguesas. Oprima el centro cuando congele.
Filete Redondo	MEAT	De vuelta. Cubra las áreas calientes con papel de aluminio.	Coloque en una parrilla de asar resistente al microondas.
Filete de Lomo	MEAT	De vuelta. Cubra las áreas calientes con papel de aluminio.	Coloque en una parrilla de asar resistente al microondas.
Carne de Res Estofado	MEAT	Retire las porciones descongeladas con un tenedor. Separe el resto y vuelva a colocar en el horno.	Coloque en una fuente de hornear resistente al para microondas.
Carne Asada, Aguja	MEAT	De vuelta. Cubra las áreas calientes con papel de aluminio.	Coloque en una parrilla de asar resistente al microondas.
Bifes Anchos	MEAT	De vuelta. Cubra las áreas calientes con pepel de aluminio.	Coloque en una parrilla de asar resistente al microondas.
Cuadril	MEAT	De vuelta. Cubra las áreas calientes con papel de aluminio.	Coloque en una parrilla de asar resistente al microondas.
<b>CARNE DE CORDERO</b>			
En trocitos estofado	MEAT	Retire las porciones descongeladas con un tenedor. Coloque el resto de nuevo en el horno.	Coloque en una fuente de hornear resistente para al microondas.
Chuletas (1 pulgada (2,5 cm) de grosor)	MEAT	Separe y vuelva a arreglar.	Coloque en una parrilla de asar resistente al microondas.
<b>CARNE DE CERDO</b>			
Chuletas (1/2 pulgada (1,3 cm) de grosor)	MEAT	Separe y vuelva a arreglar.	Coloque en una parrilla de asar resistente al microondas.
Salchiches	MEAT	Separe y vuelva a arreglar.	Coloque en una parrilla de asar resistente al microondas.
Costillas de cerdo costillas al estilo campestre	MEAT	De vuelta. Cubra las áreas calientes con papel de aluminio.	Coloque en una parrilla de asar resistente al microondas.
Salchichas, en tiras	MEAT	Separe y vuelva a arreglar.	Coloque en una parrilla de asar resistente al microondas.
Salchichas, al peso	MEAT	Retire las porciones descongeladas con un tenedor. De vuelta. Vuelva a colocar el resto en el horno.	Coloque en una fuente de hornear resistente al microondas.
Lomo de cerdo, deshuesado	MEAT	De vuelta. Cubra las áreas calientes con papel de aluminio.	Coloque en una parrilla de asar resistente al microondas.

# Funcionamiento (cont.)

## TABLA DE DESCONGELACION AUTOMATICA (cont.)

### Ajuste 'Poultry' (Aves)

ALIMENTO	AJUSTE	CUANDO SUENE LA SEÑAL SONORA	INSTRUCTIONS SPÉCIALES
<b>POLLO</b>			
Entero (hasta 6 libras [2,7 kg])	POULTRY (AVES)	De vuelta (termine de descongelar con el lado de pechuga hacia abajo). Cubra las áreas calientes con papel de aluminio.	Coloque el pollo con la pechuga hacia arriba en una parrilla de asar resistente al microondas. Termine de descongelar sumergiendo en agua fría. Retire las menudencias cuando el pollo esté parcialmente descongelado.
Cortado	POULTRY	Separe las presas y arregle. De vuelta. Cubra las áreas calientes con papel de aluminio.	Coloque en una parrilla de asar resistente al microondas. Termine de descongelar sumergiendo en agua fría.
<b>GALLINAS DE CORNUALLES</b>			
Enteras	POULTRY	De vuelta. Cubrir las áreas calientes con papel de aluminio.	Coloque en una parrilla de asar resistente al microondas. Termine de descongelar sumergiendo en agua fría.
<b>PAVO</b>			
Pechuga (menos de 6 libras [2,7 kg])	POULTRY	De vuelta. Cubrir las áreas calientes con papel de aluminio.	Coloque en una parrilla de asar resistente al microondas. Termine de descongelar sumergiendo en agua fría.

### Ajuste 'Fish' (Pescado)

ALIMENTO	AJUSTE	CUANDO SUENE LA SEÑAL SONORA	INSTRUCTIONS SPÉCIALES
<b>PESCADO</b>			
Filetes	FISH (PESCADO)	De vuelta. Separe los filetes cuando estén parcialmente descongelados si es posible.	Coloque en una fuente de honar resistente al microondas. Separe cuidadosamente los filetes debajo de agua fría.
Tajadas de pescado	FISH	Separe y vuelva a arreglar.	Coloque en una fuente de honar resistente al microondas. Deje correr agua fría para terminar de descongelar.
Pescado entero	FISH	De vuelta.	Coloque en una fuente de honar resistente al microondas. Cubra la cabeza y la cola con papel de aluminio; no deje que el papel de aluminio toque las paredes del microondas. Termine descongelar sumergiendo en agua fría.
<b>MARISCOS</b>			
Carne de cangrejo	FISH	Separe. De vuelta.	Coloque en una fuente de honar resistente al microondas.
Colas de langosta	FISH	De vuelta y vuelva a arreglar.	Coloque en una fuente de honar resistente al microondas.
Camarones	FISH	Separe y vuelva a arreglar.	Coloque en una fuente de honar resistente al microondas.
Callos de hacha	FISH	Separe y vuelva a arreglar.	Coloque en una fuente de honar resistente al microondas.

**NOTA:** El alimento que va ser descongelado no debe pesar más de 6 libras (2,7 kg.). El peso disponible es de 0,1 a 6 libras (45 g a 2,7 kg.)



## 'TIME DEFROST'

Esta característica le permite seleccionar el tiempo de descongelación.

**Ejemplo: Para descongelar durante 2 minutos.**

Time  
Defrost

2 0 0

Start

1. Oprima la tecla 'TIME DEFROST'.
2. Programe el tiempo de descongelación que usted desea.
3. Oprima la tecla 'START'.  
(Comienza la

descongelación. Cuando se termina el tiempo de descongelación, usted oír cuatro señales sonoras y en la pantalla aparecerá 'END'.

## 'RAPID DEFROST 1 lb.'

(0,45 kg)

La característica 'RAPID DEFROST 1 lb' (0,45 kg) ofrece descongelación rápida para una libra de alimento congelado. El horno automáticamente programa el tiempo de descongelación para carne de res molida.

**Ejemplo: Para descongelar 1 libra (0,45 kg) de carne de res molida.**

Rapid  
Defrost

1 lb.

Start

1. Oprima la tecla 'RAPID DEFROST'.
2. Oprima la tecla 'START'.

## USO DE LA PARRILLA DE METAL DE DOS POSICIONES

La parrilla de metal de dos posiciones le ofrece espacio adicional cuando cocina en más de un contenedor a la misma vez. La parrilla de metal puede ser colocada al revés para acomodar diferentes tamaños de contenedores.

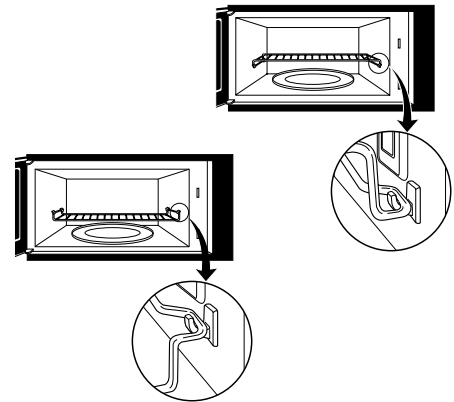
Para usar la parrilla:

1. Coloque la parrilla firmemente en los cuatro soportes de plástico.
  - La parrilla NO DEBE tocar las paredes de metal o la parte trasera del microondas.
2. Coloque cantidades iguales de alimento SOBRE y DEBAJO de la parrilla.
  - La cantidad de alimento debe ser aproximadamente la misma para equilibrar la energía de cocción.

**⚠ ATENCION**

Para evitar riesgos materiales:

- > No use la parrilla para preparar palomitas de maíz.
- > La parrilla debe estar en los cuatro soportes de plástico cuando se usa.
- > Use la parrilla solamente cuando cocine alimento en dos posiciones.
- > No cocine con la parrilla en la parte inferior del horno.



**NOTA:** No se recomienda el uso de la parrilla para cocción por sensor.

## TABLA DE TIEMPO DE DESCONGELACION

ALIMENTO	TIEMPO	INSTRUCCIONES ESPECIALES
<b>CARNE</b>		
Tocino (1 libra [0,45 kg])	2 a 4 minutos	De vuelta la carne cuando suene la señal sonora. Deje reposar por 5 minutos después de descongelar.
Carne molida (1 libra [0,45 kg])	4½ - 6 minutos	De vuelta la carne cuando suene la señal sonora. Deje reposar por 5 minutos después de descongelar.
Asados	4½ a 6 minutos	De vuelta la carne cuando suene la señal sonora. Proteja las áreas calientes con papel de aluminio. Deje reposar por 5 a 10 minutos. Igual a lo anterior.
Biftecs, chuletas de cerdo y de ternera	4½ a 6 minutos por libra (0,45 kg)	
<b>CARNE DE AVE</b>		
Pollo, de asar y freír Cortado (2½ a 3 libras [1,1 a 1,4 kg])	13 a 16 minutos	De vuelta la carne cuando suene la señal sonora. Proteja las áreas calientes con papel de aluminio. Deje reposar de 20 a 30 minutos. Cubra con papel de aluminio.
Pollo, entero (2 a 3 libras [0,9 a 1,4 kg])	15 a 18 minutos	De vuelta la carne cuando suene la señal sonora. Proteja las áreas calientes con papel de aluminio. Deje reposar de 20 a 30 minutos. Cubra con papel de aluminio.
Gallina de Cornualles	5 a 7 minutos por libra (0,45 kg)	De vuelta la carne cuando suene la señal sonora. Proteja las áreas calientes con papel de aluminio. Deje reposar de 20 a 30 minutos. Cubra con papel de aluminio.
<b>PESCADO Y MARISCOS</b>		
Filetes (1 libra [0,45 kg])	4 a 5½ minutos	Coloque el bloque en la cacerola, de vuelat al alimento y desmenúcelo después de oír la señal sonora. Deje reposar durante 5 minutos.
Mariscos, tamaño pequeño (1 libra [0,45 kg])	4 a 5 minutos	

**NOTA :** Los tiempos de descongelación son aproximados y son solamente una guía.

# Cocinando en el Microondas

## COMO OBTENER LOS MEJORES RESULTADOS

Para obtener los mejores resultados de su horno de microondas lea y siga las siguientes instrucciones.

- **Temperatura de Almacenamiento:** Los alimentos que se sacan del congelador o del refrigerador se demoran más en cocinar que los mismos alimentos a temperatura ambiente. El tiempo para las recetas indicado en este manual se basa en la temperatura de almacenamiento normal del alimento.
- **Tamaño:** Los trozos pequeños de alimento se cocinan más rápido que los grandes, los trozos de tamaño y forma similar se cocinan más uniformemente. Para una cocción uniforme, reduzca el nivel de potencia cuando cocine trozos grandes de alimento.
- **Humedad Natural:** Los alimentos muy húmedos se cocinan más uniformemente porque la energía del microondas es atraída a las moléculas de agua.
- **Revuelva** los alimentos tales como cacerolas y vegetales desde la parte exterior hacia el centro para distribuir el calor uniformemente y acelerar la cocción. No es necesario revolver constantemente.
- **De vuelta** a los alimentos tales como chuletas de cerdo, papas al horno, asados o coliflor entera cuando están a mitad del tiempo de cocción para exponer en forma igual todos los lados a la energía del microondas.

- **Coloque** las áreas delicadas de los alimentos, tales como las puntas de los espárragos, hacia el centro de la bandeja.
- **Arregle** los alimentos que tienen formas diferentes tales como presas de pollo o filete de salmón, con el lado más grueso y con más carne hacia el borde de la bandeja.
- **Proteja**, con pedazos pequeños de papel de aluminio las partes del alimento que puedan cocinarse rápidamente, tales como las puntas de las alas y los extremos de las patas de las aves.
- **Deje Reposar:** Después de retirar el alimento del horno de microondas, cúbralo con papel de aluminio o con la tapa de una cacerola y déjelo reposar para que se termine la cocción en el centro y se evite sobrecocción de los bordes exteriores. La duración del tiempo de reposo depende de la densidad y tamaño de la superficie del alimento.
- **Envoltura en papel encerado o toalla de papel:** Los emparedados y muchos otros alimentos que contienen pan pre-horneado deben ser envueltos antes de ponerlos en el horno de microondas para evitar que se sequen.

## PESCADO Y MARISCOS

### Cocinando Pescado y Mariscos: Instrucciones Generales

- Prepare el pescado para cocinarlo.
  - Descongele completamente el pescado o los mariscos.
  - Arregle los pedazos de formas diversas con las partes más gruesas hacia el borde de la bandeja. Arregle los mariscos en una sola capa para cocción uniforme.
  - El tipo de cubierta que use depende de como usted cocina. El pescado escalfado necesita una tapa resistente al microondas o envoltura de plástico ventilada.
  - El pescado horneado, el pescado empanizado o el pescado en salsa necesita ser cubierto ligeramente con papel encerado para mantener el empanizado crujiente y que la salsa no quede aguada.
  - Siempre programe el tiempo de cocción más corto. El pescado está listo cuando se vuelve opaco y la parte más gruesa comienza a desmenuzarse. Los mariscos están listos cuando la cáscara se cambia de color rosado a rojo y la carne es opaca y firme.
- La Tabla de Cocción de Pescados y Mariscos incluida a continuación ofrece instrucciones específicas, nivel de potencia y ajustes del tiempo de cocción para la mayoría de los tipos de pescados y mariscos.

## TABLA DE COCCION DE PESCADOS Y MARISCOS

PESCADO	NIVEL DE POTENCIA	TIEMPO DE COCCIÓN	INSTRUCCIONES
Filetes de pescado	HI	3½ a 4½ minutos	Arregle el pescado en una sola capa con la parte más gruesa dirigida hacia el borde de una fuente de hornear de 1,5 litros resistente al microondas. Unte con mantequilla derretida y sazone, si se desea. Cocine cubierto con una envoltura de plástico ventilada. Deje reposar cubierto durante dos minutos. Si usted está cocinando más de 1 libra (0,45 kg) de pescado, de vuelta el pescado en la mitad del tiempo de cocción.
Tajadas de pescado	HI	4½ a 5½ minutos	
Pescado entero	7	4½ a 6 minutos	
Callos de Hacha	HI	3½ a 5 minutos	Arregle en una sola capa. Prepare como se indicó anteriormente, excepto que debe revolver en vez de dar vuelta los mariscos.
Camarones, sin cáscara	HI	3½ a 5 minutos	

## APERITIVOS/SALSAS/ SOPAS

### Cocción de Aperitivos: Consejos y Técnicas

#### Aperitivos recomendados

- Las galletas de soda crujientes, tales como tostadas 'melba', de trigo desmenuzado y galletas crujientes de centeno son las mejores para uso en el horno de microondas. Espere hasta que la fiesta comience para agregar los betunes. Coloque una toalla de papel debajo de las galletas cuando se están cocinando en el horno de microondas para absorber la humedad adicional.
- Arregle los aperitivos individuales en un círculo para cocción uniforme.
- Revuelva los 'dips' para distribuir el calor y acortar el tiempo de cocción.

### Cocción de Salsas: Consejos y Técnicas

- Use una cacerola o taza de medir de vidrio resistente al microondas cuyo volumen sea por lo menos 2 o 3 veces mayor que el volumen de la salsa.
- Las salsas hechas con maicena espesan más rápidamente que aquellas hechas con harina.

### Cocción de Sopas: Consejos y Técnicas

- Cocine las sopas en una fuente resistente al microondas cuyo volumen sea el doble del de los ingredientes de la receta para evitar que se derramen, especialmente si usted usa crema o leche en la sopa.
- Generalmente, cubra las sopas que son cocinadas en el horno de microondas con envoltura de plástico VENTILADA o con una tapa resistente al microondas.
- Cubra los alimentos para que retengan la humedad. Destape los alimentos para que queden más crujientes.

- Evite cocinar demasiado los alimentos usando el tiempo mínimo sugerido. Agregue más tiempo, si es necesario, solamente después de revisar el alimento.

### Alimentos no Recomendados

- Los aperitivos con textura crujiente o la pastelería de hojaldre se cocinan mejor en un horno convencional con calor seco.
- Los productos empanizados pueden ser calentados en el horno de microondas pero no quedarán crujientes.
- Cocine sin cubrir las salsas hechas con maicena o harina de modo que las pueda revolver 2 o 3 veces durante la cocción para una consistencia más suave.
- Para adaptar una salsa o receta de salsa de carne convencional, reduzca ligeramente la cantidad de líquido.
- Revuelva ocasionalmente para ayudar a mezclar los sabores, distribuir uniformemente el calor y acortar el tiempo de cocción.
- Cuando se convierte una receta de una sopa convencional para cocinarla en el horno de microondas, reduzca el líquido, la sal y los aliños fuertes.

## CARNE

### Cocción de Carne: Instrucciones Generales

- Prepare la carne para ser cocinada.
  - Descongele completamente.
  - Recorte el exceso de grasa para evitar salpicaduras.
  - Coloque la carne, con el lado de la grasa hacia abajo, sobre una parrilla resistente al microondas en una fuente también resistente al microondas.
  - Use la bolsa de cocinar en el horno para cortes de carne menos tiernos.

- Arregle la carne de manera que las porciones más gruesas quede hacia el borde de la bandeja.
- Cubra la carne con papel encerado para evitar salpicaduras.

- Preste atención a la carne mientras se cocina.

- Escurra los jugos a medida que se acumulan para reducir salpicaduras y evitar la sobrecocción del lado inferior de la carne.
- Proteja las porciones delgadas o con huesos con franjas de papel de aluminio para evitar sobrecocción.

**NOTA:** Mantenga el papel de aluminio **por lo menos a 1 pulgada** (2,5 cm) de las paredes del horno y no cubra más de un tercio de la carne con papel de aluminio de una vez.

- Deje reposar la carne cubierta con papel de aluminio durante 10 a 15 minutos después de sacarla del horno. La temperatura interna de la carne puede elevarse de 5° a 10° F (3° a 5 °C) durante el tiempo de reposo.

La Tabla de Cocción de la Carne incluida en la página siguiente le proporciona instrucciones detalladas sobre los ajustes de nivel de potencia y tiempo de cocción para la mayoría de los cortes de carne.

# Cocinando en el Microondas (cont.)

## TABLA DE COCCIÓN DE LA CARNE

CARNE	NIVEL DE POTENCIA	TIEMPO DE COCCIÓN	INSTRUCCIONES
<b>CARNE DE RES</b> Hamburguesas, Frescas o descongeladas (4 onzas [113 g] cada una) 1 hamburguesa 2 hamburguesas 4 hamburguesas	HI	1 a 1½ minutos 1½ a 2 minutos 2½ a 3½ minutos	Forme una depresión en el centro de cada hamburguesa. Coloque en una parrilla de asar resistente al microondas. Unte con un agente dorador, si se desea. Cubra con papel encerado. De vuelta cuando estén a la mitad de la cocción. Deje reposar cubiertas durante 1 minuto.
Vuelta de lomo (3 a 4 libras [1,4 a 1,8 kg])	5	8 a 10 minutos por libra (0,45 kg) SEMICRUDO (135° F [57°C]) 11 a 13 minutos por libra (0,45 kg) MEDIO ASAR (155° F [68°C])	Coloque el asado con el lado de la grasa hacia abajo en una parrilla de asar resistente al microondas. Agregue los aliños deseados y cubra con papel encerado. Dar vuelta a la carne cuando esté a la mitad de la cocción y cubra si es necesario. Retire el asado del horno de microondas cuando se haya alcanzado la temperatura deseada. Deje reposar cubierto con papel de aluminio durante 15 minutos. (La temperatura puede llegar hasta aproximadamente a 10°F [5°C]).
<b>CORDERO</b> Asado de cordero, enrollado deshuesado (3 a 4 libras [1,4 a 1,8 kg])	5	11 a 12 minutos por libra (0,45 kg) SEMICRUDO (135° F [57°C]) 12 a 13 minutos por libra (0,45 kg) MEDIO ASAR (145° F [62°C]) 13 a 14 minutos por libra (0,45 kg) BIEN ASADO (155° F [68°C])	Coloque el asado con la grasa hacia abajo en una parrilla de asar resistente al microondas. Unte la carne de cordero con adobo o con especias tales como romero, tomillo u orégano. Cuba con papel encerado. De vuelta el asado después de 15 minutos y nuevamente después de 30 minutos. Cuba si es necesario. Retire el asado del horno de microondas cuando se logre la temperatura deseada. Deje eposar cubierto con papel de aluminio durante 15 minutos. (La temperatura puede llegar hasta aproximadamente 10°F [5°C])
<b>CARNE DE CERDO</b> Rebanadas de tocino 2 rebanadas 4 rebanadas 6 rebanadas 10 rebanadas	HI	1½ a 2 minutos 2 a 3 minutos 4 a 5 minutos 7 a 8 minutos	Coloque las rebanadas de tocino en una parrilla de asar resistente al microondas. Cubra con toallas de papel. Después de cocinar, deje reposar durante 1 minuto.
Chuletas de cerdo (5 a 7 onzas [142 a 198 g] cada una) 2 chuletas  4 chuletas	3	18 a 20 minutos por libra (0,45 kg) 15 a 17 minutos por libra (0,45 kg)	Coloque las chuletas de cerdo en una fuente de hornear resistente al microondas. Agregue los aliños deseados y cubra con envoltura de plástico ventilada. Cocine hasta que desaparezca el color rosado o hasta que la temperatura interna llegue a 170°F (77 °C). De vuelta las chuletas a mitad de la cocción. Deje reposar cubiertas durante 5 minutos. (La temperatura puede elevarse hasta aproximadamente 10°F [5°C]).
Asado de lomo enrollado, deshuesado (3½ a 4½ libras [1,6 a 2,0 kg])	3	25 a 27 minutos por libra (0,45 kg) (165° F [74°C])	Coloque el asado en una bolsa de cocinar en una fuente resistente al microondas. Agregue los aliños y un agente dorador si se desea. Cierre Cierre la bolsa con una atadura o cuerda resistente al microondas no muy apretada. Después de la cocción, deje reposar en la bolsa durante 5 minutos. (La temperatura puede llegar hasta aproximadamente 10°F [5°C]). La temperatura interna de la carne de cerdo debe llegar a 170°F (77 °C) antes de servir.
Tiras de salchichas, frescas o congeladas, descongeladas (1 a 2 onzas [28 a 57g] cada una) 2 salchichas 4 salchichas 6 salchichas 10 salchichas (8 onzas [227g] por paquete)	HI	45 a 60 seconds 1 a 1½ minutos 1½ a 2 minutos 1¾ a 2 minutos	Agujeree las salchichas y colóquelas en una parrilla de asar resistente al microondas. Cubra con papel encerado o toallas de papel. De vuelta a mitad de la cocción. Después de la cocción, deje reposar cubiertas durante 1 minuto.

## CARNE DE AVE

### Instrucciones Generales para Cocinar la Carne de Ave

- Prepare la carne de ave para cocinarla.
  - Descongele completamente.
  - Coloque las presas más gruesas en el borde exterior de la asadera. Cuando cocine patas, colóquelas como los rayos de una rueda.
  - Cubra la asadera con papel encerado para reducir las salpicaduras.
  - Use un agente dorador o cocine con una salsa para darle una apariencia dorada.
- Preste atención a la carne de ave cuando se esté cocinando.
  - Escurra y descarte los jugos a medida que se acumulan.

- Proteja los pedazos delgados o con huesos con pequeñas tiras de papel de aluminio para evitar sobrecocción. Mantenga el aluminio **por lo menos a 1 pulgada (2,5 cm)** de las paredes del horno y de los otros pedazos de aluminio.

- La carne de pollo está lista cuando ya no tiene un color rosado y los jugos son transparentes. Cuando está cocinada, la temperatura en la carne del muslo debe ser de 180°F a 185°F (82 a 85 °C).
- Deje reposar la carne de ave después de cocinarse cubierta con papel de aluminio durante 10 minutos.

La Tabla de Cocción de Ave que se incluye a continuación proporciona instrucciones detalladas, niveles de potencia y tiempos de cocción para la mayoría de los cortes y tipos de carne de ave.

### TABLA DE COCCIÓN DE LA CARNE DE AVE

CARNE DE AVE	NIVEL DE POTENCIA	TIEMPO DE COCCIÓN	INSTRUCCIONES
Presas de pollo (2½ a 3 libras [1,1 a 1,4 kg])	HI	4½ a 5½ minutos por libra (0,45 kg)	Antes de cocinar, lave las presas y sacuda el agua. Coloque las presas en una sola capa en una fuente de hornear resistente al microondas con los pedazos más gruesos hacia el borde. Unte con mantequilla o con un agente dorador y con aliños si se desea. Cubra con papel encerado. Cocine hasta que la carne pierda el color rosado y los jugos sean transparentes. Deje reposar cubierta durante 5 minutos.
Pollo entero (3 a 3½ libras [1,4 a 1,6 kg])	HI	12-13 minutos por libra (0,45 kg)	Antes de cocinar, lave y sacuda el agua. Coloque con el lado de la pechuga hacia abajo en una asadera resistente al microondas. Unte con mantequilla o un agente dorador y aliños si es necesario. Cubra con papel encerado. Cocine 1/3 del tiempo estimado. Coloque la pechuga hacia arriba, unte con mantequilla o un agente dorador. Vuelva a colocar el papel encerado. Cocine 1/3 del tiempo estimado nuevamente. Cubra si es necesario. Cocine el resto del 1/3 del tiempo estimado o hasta que la carne no esté rosada y los jugos sean transparentes. Deje reposar cubierto con papel de aluminio durante 10 minutos. (La temperatura puede elevarse hasta aproximadamente 10°F [5°C].) La temperatura en el muslo debe ser de 180°F a 185°F (82°C a 85°C) cuando el pollo ya está cocinado.
Gallinas de Cornalles enteras (1 a 1½ libras [0,45 a 0,7 kg] cada una)	HI	6-7 minutos por libra (0,45 kg)	Antes de cocinar, lave y sacuda el agua. Ate las alas al cuerpo de la gallina y las patas a la cola. Coloque la pechuga de la gallina hacia abajo en la asadera resistente al microondas. Cubra con papel encerado. Coloque la pechuga hacia arriba cuando esté a mitad de cocinar. Proteja los extremos de las piernas con papel de aluminio. Retire y descarte los jugos. Unte con mantequilla o un agente dorador y los aliños si se desea. Cocine hasta que la carne no esté rosada y los jugos sean transparentes. Retire la gallina del microondas cuando alcance la temperatura deseada. Deje reposar cubierta con papel de aluminio durante 5 minutos. (La temperatura puede elevarse hasta 10°F [5°C]). La temperatura en la pechuga debe ser de 170°F (77°C) antes de servir.

# Cocinando en el Microondas (cont.)

## FIDEOS Y ARROZ

Los fideos, el arroz y cereales requieren aproximadamente el mismo tiempo de cocción tanto en los hornos convencionales como en los hornos de microondas. Sin embargo, el horno de microondas es un método más conveniente porque usted puede cocinar y servir en el mismo plato. No es necesario revolver los fideos y las sobras tienen el mismo sabor como si hubieran sido recién cocinados cuando se recalientan en el horno de microondas.

### Consejos y Técnicas para Cocinar Fideos y Arroz

- Si usted está planeando usar arroz o fideos en una cacerola, no los cocine hasta el final para que queden firmes.
- El arroz debe dejarlo reposar pero no así los fideos.
- Las Tablas para Cocción de Fideos y Arroz incluidas a continuación ofrecen instrucciones específicas, con niveles de potencia y tiempo de cocción para la mayoría de los tipos comunes de fideos y arroz.

## TABLA DE COCCIÓN DE FIDEOS

FIDEOS	NIVEL DE POTENCIA	TIEMPO DE COCCIÓN	INSTRUCCIONES
<b>Tallarines</b> 4 tazas (946 mL) de agua Agregue 8 onzas (227 g) de tallarines	HI 5	9 a 10 minutos 7½ a 8½ minutos	Combine agua caliente de la llave y sal si se desea. Use una fuente de hornear de 2 litros resistente al microondas y cubra con envoltura de plástico ventilada para tallarines y fideos de lasaña. Use una tapa resistente al microondas o envoltura de plástico ventilada para los macarrones y fideos de huevo. Cocine en el nivel de potencia 'HI' (Alto) como se indica en la tabla o hasta que el agua hierva. Revuelva los fideos; cocine tapados en el nivel de potencia 5 como se indica en la tabla o hasta que estén suaves. Escorra en un colador.
<b>Macarones</b> 3 tazas (710 mL) de agua Agregue 2 tazas (532 mL) de macarrón	HI 5	6 a 7 minutos 5½ a 6½ minutos	
<b>Fideos de Lasaña</b> 4 tazas (946 mL) de agua Agregue 8 onzas (227 g) de fideos de lasaña	HI 5	7 a 8 minutos 11 a 12½ minutos	
<b>Fideos de Huevo</b> 6 tazas (1,4 L) de agua Agregue 4 tazas (946 mL) de fideos	HI 5	8 a 10 minutos 5½ a 6½ minutos	

## TABLA DE COCCIÓN DEL ARROZ

ARROZ	NIVEL DE POTENCIA	TIEMPO DE COCCIÓN	DIRECTIONS
<b>Grano Largo</b> 2½ tazas (532 mL) de agua Agregue 1 taza (237 mL) de arroz	HI 5	4½ a 5½ minutos 14 minutos	Combine agua caliente de la llave y sal, si se desea en una cacerola de 2 litros resistente al microondas. Cubra con una tapa resistente al microondas o con envoltura plástica ventilada. Cocine como se indica en la tabla al nivel de potencia 'HI' (Alto) o hasta que el agua hierva. Revuelva el arroz y agregue los aliños. Cocine tapado como se indica en la tabla en el nivel de potencia 5 o hasta que el agua se absorba y el arroz esté tierno. Deje reposar tapado de 5 a 10 minutos. Revuelva con un tenedor. Haga hervir el agua. Vacíe el arroz en el agua hirviendo y deje reposar, cubierto 5 a 10 minutos o hasta que el agua se absorba y el arroz esté tierno. Revuelva con un tenedor.
<b>Arroz Integral</b> 2½ tazas (532 mL) de agua Agregue 1 taza (237 mL) de arroz	HI 5	4½ a 5½ minutos 28 minutos	
<b>Arroz de Grano Largo Mezclado con Arroz Salvaje</b> 2⅓ tazas (591 mL) de agua Agregue un paquete de 6 onzas (170 g)	HI 5	4 a 5 minutos 24 minutos	
<b>Arroz de Cocción Rápida</b> 1 taza (237 mL) de agua Agregue 1 taza (237 mL) de arroz	HI	2 a 3 minutos	

## CUIDADO Y LIMPIEZA

Para un mejor rendimiento y seguridad, mantenga el interior y el exterior del horno limpio. Preste especial cuidado para que el panel interior de la puerta y el marco delantero del horno se mantengan limpios y sin acumulación de restos de alimentos o grasa. **Nunca use polvos abrasivos o esponjas duras.** Limpie el interior y el exterior del horno de microondas, incluyendo la cubierta inferior de la campana, con un paño suave y una solución con detergente suave tibio (no caliente). Luego enjuague y seque. Use un limpiador de cromo y frote el cromo y las superficies de metal y aluminio. Limpie inmediatamente las salpicaduras con toallas de papel húmedas, especialmente después de cocinar pollo o tocino. Limpie su horno semanalmente o más a menudo si es necesario.

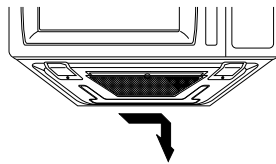
## PARRILLA DE METAL

Lave la parrilla de metal con un jabón suave y una escobilla suave o de nilón. Seque bien. No use restregadores ni limpiadores abrasivos para limpiar la parrilla.

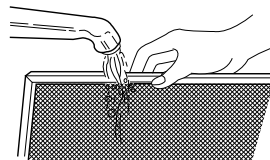
## LIMPIEZA DEL FILTRO DE LA GRASA

El filtro de la grasa debe ser retirado y limpiado a menudo, por lo menos una vez al mes.

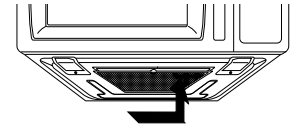
1. Para retirar el filtro de la grasa, deslice el filtro hacia el lado. Tire del filtro hacia abajo y empuje hacia el otro lado. El filtro caerá.



2. Remoje el filtro de la grasa en agua caliente y un detergente suave. Enjuague bien y sacuda para secar. **No use amoníaco ni coloque en un lavavajillas. El filtro de aluminio se oscurecerá.**



3. Para volver a instalar el filtro, deslícelo en la ranura lateral, luego empuje hacia arriba y hacia el centro del horno para bloquearlo en su lugar.



## **⚠ ATENCION**

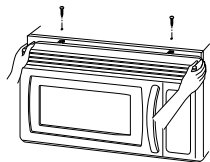
Para evitar riesgo de lesión personal o daño material, no haga funcionar la campana del horno sin tener colocados los filtros.

## REEMPLAZO DEL FILTRO DE CARBON

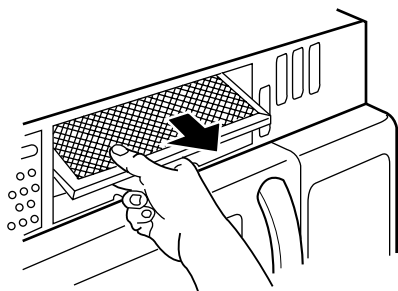
Si su horno es ventilado hacia el interior, el filtro de carbón debe ser reemplazado cada 6 a 12 meses y más a menudo si es necesario. El filtro de carbón no puede ser limpiado. Para hacer un pedido de un nuevo filtro de carbón, póngase en contacto con el departamento de repuestos de su centro de servicio autorizado más cercano o llame al **1-800-688-1100** en EE.UU. y en Canadá.

Pida el juego de filtro de carbón #MVHRK3.

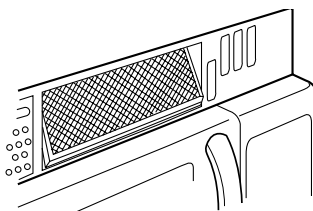
1. Desenchufe el horno.
2. Retire los dos tornillos de montaje de la rejilla de ventilación. (Los 2 tornillos del centro).



3. Oprima la derecha inferior del filtro de carbón.
4. Retire el filtro antiguo.



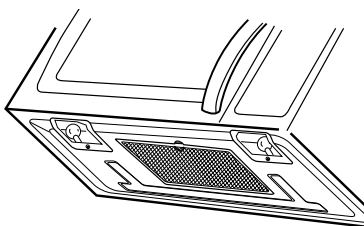
5. Instale el nuevo filtro de carbón. El filtro debe quedar instalado en ángulo como se muestra.



6. Deslice la parte inferior de la rejilla hacia su lugar. Empuje la parte superior hasta que entre a presión en su lugar. Vuelva a colocar los tornillos de montaje. Enchufe el horno y ajuste el reloj.

## REEMPLAZO DE LA LUZ DE LA CUBIERTA/LUZ NOCTURNA

1. Desenchufe el horno o corte la energía eléctrica en el interruptor principal.



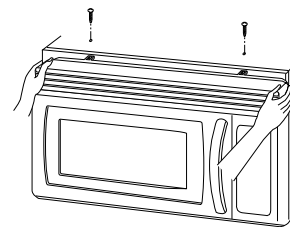
2. Retire los tornillos de montaje de la cubierta del foco.
3. Reemplace el(los) foco(s) con foco(s) para electrodomésticos de 30 watts.
4. Vuelva a colocar la cubierta del foco y los tornillos de montaje.
5. Enchufe el horno o conecte la corriente desde el interruptor principal.

## **⚠ ATENCION**

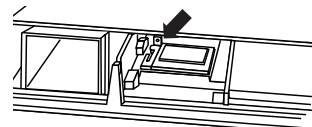
Para evitar una lesión personal o daños materiales, use guantes cuando reemplace un foco.

## REEMPLAZO DE LA LUZ DEL HORNO

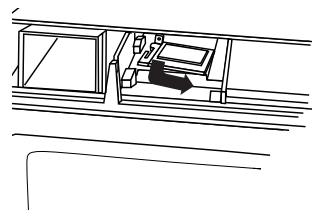
1. Desenchufe el horno o corte la energía eléctrica en el interruptor principal.
2. Retire los tornillos de montaje de la cubierta de ventilación. (2 tornillos de tamaño mediano).
3. Incline la cubierta hacia adelante y luego levántela hacia afuera para sacarla.



4. Retire el portafoco.



5. Levante el portafoco.



6. Reemplace el foco con un foco para electrodomésticos de 30 o 40 watts.
7. Vuelva a colocar el portafoco.
8. Deslice la parte inferior de la rejilla hacia su lugar. Empuje la parte superior hasta que entre a presión en su lugar. Vuelva a colocar los tornillos de montaje. Conecte la energía eléctrica en el interruptor principal.



## GUIA DE UTENSILIOS PARA EL HORNO DE MICROONDAS

USE	NO USE
<p><b>VIDRIO RESISTENTE A HORNOS DE MICROONDAS</b> (tratado para calor de alta intensidad):</p> <p>Platos de uso general, platos para pastel de carne, platos de pay, platos para pasteles, tazas de medir líquidos, cacerolas y tazones sin adorno metálico.</p> <p><b>LOZA:</b></p> <p>Tazones, tazas, platos de servir y bandejas sin adorno metálico.</p> <p><b>PLASTICO:</b></p> <p>Envoltura de plástico (como una cubierta) – coloque el plástico flojamente sobre el plato y oprímalo en los lados.</p> <p>Ventile la envoltura de plástico doblando hacia atrás levemente un borde para permitir que escape el exceso de vapor. El plato debe ser lo suficientemente profundo de modo que la envoltura de plástico no toque el alimento.</p> <p>A medida que el alimento se calienta, el plástico se puede derretir en los lugares en que el plástico toque el alimento.</p> <p>Use tazas y platos de plástico, contenedores semirígidos para el congelador y bolsas de plástico <b>solamente para cocción de corto tiempo. Use estos artículos con cuidado pues el plástico puede ablandarse a causa del calor del alimento.</b></p> <p><b>PAPEL:</b></p> <p>Toallas de papel, papel encerado, servilletas de papel y platos de papel sin diseños o adornos metálicos. Vea las instrucciones en la etiqueta del fabricante para uso en horno de microondas.</p>	<p><b>UTENSILIOS DE METAL:</b></p> <p>El metal protege el alimento de la energía del microondas y produce cocción no uniforme. Evite usar también palillos de metal, termómetros o bandejas de aluminio. Los utensilios de metal pueden causar arco eléctrico lo cual puede dañar su horno de microondas.</p> <p><b>DECORACION DE METAL:</b></p> <p>La loza, cacerolas, platos etc. adornados con metal o con una banda de metal. El adorno de metal interfiere con la cocción normal y puede dañar el horno.</p> <p><b>PAPEL DE ALUMINIO:</b></p> <p>Evite las hojas grandes de papel de aluminio pues ellas evitan la cocción y pueden causar arco eléctrico perjudicial. Use pequeños pedazos de papel de aluminio para proteger las patas y las alas de los pollos. Mantenga <b>TODO</b> el papel de aluminio por lo menos a 1 pulgada de las paredes y de la puerta del horno.</p> <p><b>MADERA:</b></p> <p>Los tazones de madera y las tablas se secarán y pueden partirse o agrietarse cuando usted las use en el horno de microondas. Las cestas reaccionan de la misma manera.</p> <p><b>UTENSILIOS CON TAPAS MUY APRETADAS:</b></p> <p>Asegúrese de dejar aberturas para que escape el vapor de los utensilios que están tapados. Perfore las bolsas de plástico de vegetales u otros artículos alimenticios antes de cocinar. Las bolsas herméticamente cerradas pueden explotar.</p> <p><b>PAPEL DE ESTRAZA:</b></p> <p>Evite usar bolsas de papel de estraza. Ellas absorben demasiado calor y pueden quemarse.</p> <p><b>UTENSILIOS AGRIETADOS O PICADOS:</b></p> <p>Cualquier utensilio que esté agrietado, picado o deformado puede quebrarse en el horno.</p> <p><b>ATADURAS DE METAL:</b></p> <p>Retire las ataduras de metal de las bolsas de papel o de plástico. Ellas se calientan demasiado y pueden causar un incendio.</p>

# Localización y Solución de Averías

## Antes de Solicitar Servicio

Verifique lo siguiente para ver si es necesario hacer una llamada de servicio. Posiblemente si revisa la información adicional incluida a continuación, se puede evitar una llamada de servicio innecesaria.

Problema	Causa Posible
Si nada no funciona en el horno	<ul style="list-style-type: none"><li>• verifique si hay un fusible del circuito fundido o si se ha disparado el disyuntor principal.</li><li>• verifique si el horno está debidamente conectado a un circuito eléctrico del hogar.</li><li>• verifique si los controles están debidamente ajustados.</li></ul>
Si la luz interior del horno no funciona	<ul style="list-style-type: none"><li>• el foco puede estar suelto o defectuoso.</li></ul>
Si el horno no cocina	<ul style="list-style-type: none"><li>• verifique si el panel de control está programado correctamente.</li><li>• verifique si la puerta está firmemente cerrada.</li><li>• verifique si se ha oprimido la tecla 'Start' (Puesta en marcha).</li><li>• verifique si se puso en marcha el temporizador en vez de una función de cocción.</li></ul>
Si el horno demora más de lo normal en cocinar o cocina muy rápidamente	<ul style="list-style-type: none"><li>• verifique si se programó debidamente el nivel de potencia.</li></ul>
Si el reloj no siempre indica la hora correcta del día	<ul style="list-style-type: none"><li>• verifique si el cordón eléctrico está totalmente insertado en el tomacorriente.</li><li>• verifique si el horno es el único artefacto en el circuito eléctrico.</li></ul>
Si el alimento no se cocina en forma pareja	<ul style="list-style-type: none"><li>• asegúrese de que el alimento tenga forma pareja.</li><li>• asegúrese de que el alimento esté completamente descongelado antes de cocinarlo.</li><li>• verifique la colocación de las franjas de aluminio usadas para evitar sobrecocción.</li></ul>
Si el alimento no se cocina bien	<ul style="list-style-type: none"><li>• verifique la receta para asegurarse de que todas las instrucciones (cantidad, tiempo y niveles de potencia) fueron correctamente seguidas..</li><li>• asegúrese de que el microondas esté en un circuito separado.</li><li>• asegúrese de que el alimento esté completamente descongelado antes de cocinarlo.</li></ul>
Si el alimento queda demasiado cocinado	<ul style="list-style-type: none"><li>• verifique la receta para asegurarse de que todas las instrucciones (cantidad, tiempo, niveles de potencia y tamaño del plato) fueron seguidas.</li></ul>
Si ocurre arco eléctrico (chispas)	<ul style="list-style-type: none"><li>• asegúrese de usar platos resistentes al microondas.</li><li>• asegúrese de no usar ataduras de alambre.</li><li>• asegúrese de no hacer funcionar el microondas cuando esté vacío.</li><li>• asegúrese de que la parrilla de metal (si se usa) esté debidamente instalada en los cuatro soportes.</li></ul>
Si la pantalla muestra la cuenta regresiva del tiempo pero el horno no está cocinando	<ul style="list-style-type: none"><li>• verifique si la puerta está bien cerrada.</li><li>• verifique si se puso en marcha el temporizador en vez de una función de cocción.</li></ul>
El ventilador comienza a funcionar automáticamente	<ul style="list-style-type: none"><li>• Si la temperatura está demasiado caliente alrededor del horno de microondas, el ventilador en la campana de ventilación se encenderá automáticamente en el ajuste 'LOW' (Bajo) para enfriar el horno. Puede quedar encendido hasta una hora para enfriar el horno.</li></ul>

# Preguntas y Respuestas

## ADVERTENCIA

Para evitar choque eléctrico que puede causar una lesión personal grave o mortal, no retire en ningún momento la caja exterior; solamente un técnico autorizado debe retirar esta caja exterior.

## PREGUNTAS Y RESPUESTAS

Pregunta	Repuesta
¿Puedo usar una parrilla en mi horno de microondas de modo que pueda recalentar o cocinar en dos posiciones de la parrilla al mismo tiempo?	Solamente use la parrilla suministrada con su horno de microondas. El uso de cualquier otra parrilla puede resultar en rendimiento deficiente de la cocción y/o arco eléctrico y puede dañar su horno.
¿Puedo usar ya sea utensilios de aluminio o de metal en mi horno de microondas?	Se puede usar papel de aluminio para protección (use pedazos pequeños y planos). Nunca deje que el metal toque las paredes o la puerta del horno.
Algunas veces la puerta de mi horno de microondas se ve ondulada. ¿Es esto normal?	Esta apariencia es normal y no afecta el funcionamiento de su horno.
¿Qué son esos ruidos como zumbidos que escucho cuando el horno de microondas está funcionando?	Es el sonido del transformador donde el tubo de magnetrón pasa por el ciclo de encendido y apagado.
¿Por qué se calienta el plato que contiene el alimento que voy a calentar?	A medida que el alimento se calienta, el calor pasará al plato. Use tomaollas para retirar el alimento después de estar cocinado. Puede que el plato no sea resistente al microondas.
¿Qué significa tiempo de reposo?	Tiempo de reposo significa que el alimento debe ser sacado del horno y taparlo para tiempo de cocción adicional. Este proceso permite que la cocción termine, se ahorre energía y el horno quede libre para otro propósito de uso.
¿Puedo hacer palomitas de maíz en mi horno de microondas? ¿Cómo obtengo los mejores resultados?	Sí. Prepare las palomitas de maíz en el horno de microondas siguiendo las instrucciones del fabricante o use la tecla preprogramada 'Popcorn' (palomitas de maíz). No use bolsas de papel regulares. Use la prueba de escuchar deteniendo el horno tan pronto como el maíz deja de reventar cada uno o dos segundos. No trate de volver a cocinar los granos de maíz que no se reventaron. Usted puede también usar dispositivos especiales para preparar palomitas de maíz en hornos de microondas. Cuando los use, asegúrese de seguir las instrucciones del fabricante. No prepare palomitas de maíz en utensilios de vidrio.
¿Por qué sale vapor por el respiradero?	El vapor es producido normalmente durante la cocción. El horno de microondas ha sido diseñado para ventilar este vapor por el respiradero superior.

# Garantía

## Garantía Completa de Dos Años

Durante dos (2) años desde la fecha de compra original al pormenor, se reparará o reemplazará gratuitamente cualquier pieza que falle en uso normal del hogar.

### Garantía Limitada de Piezas

Después del segundo año desde la fecha de compra original al pormenor hasta el quinto año, las siguientes piezas que fallen durante uso normal en el hogar serán reparadas o reemplazadas gratuitamente en lo que respecta a la pieza misma y el propietario debe pagar todos los otros costos incluyendo mano de obra cuando el artefacto esté ubicado en los Estados Unidos o Canadá: (1) panel del teclado y microprocesador, (2) tubo magnetrón.

### Garantía Limitada de Piezas Fuera de EE.UU. y Canadá

Durante un (1) año desde la fecha de compra original al pormenor, cualquier pieza que falle durante uso normal en el hogar será reparada o reemplazada gratuitamente en lo que respecta a la pieza y el propietario debe pagar todos los otros costos, incluyendo mano de obra, cuando el artefacto esté situado fuera de los Estados Unidos o Canadá.

### Residentes Canadienses

Esta garantía cubre solamente aquellos artefactos instalados en Canadá que han sido certificados por la Asociación de Normas Canadienses (CSA) a menos que hayan sido traídos a Canadá desde Estados Unidos debido a un cambio de residencia.

## Lo que no cubre estas garantías

- Reemplazo de los fusibles del hogar, reposición de los disyuntores o corrección del alambrado o plomería del hogar.
- Mantenimiento y limpieza normal del producto, incluyendo focos.
- Productos cuyos números de serie originales fueron removidos, alterados o no son fácilmente legibles.
- Productos comprados para uso comercial, industrial o de arriendo.
- Productos situados afuera de los Estados Unidos o Canadá.
- Costos de servicio adicionales, si el técnico debe realizar servicio extraordinario fuera de lo normal o fuera de las horas o del área de servicio normal.
- Ajustes después del segundo año.
- Reparaciones resultantes de lo siguiente:
  - Instalación, sistema de escape o mantenimiento incorrecto.
  - Cualquier modificación, alteración o ajuste no autorizado por Maytag.
  - Accidente, mal uso, abuso, incendio, inundación o actos fortuitos.
  - Conexiones a suministro de gas, suministro de voltaje o corriente eléctrica incorrectas.
  - Uso de utensilios, contenedores o accesorios no apropiados que pueden causar daño al producto.
- Viaje.

## Si usted necesita servicio

- Llame al distribuidor donde compró su electrodoméstico o llame a Maytag Appliances Sales Company, Maytag Customer Assistance al 1-800-688-1100 en EE.UU. y Canadá para ubicar un técnico autorizado.
  - Asegúrese de conservar el comprobante de compra para verificar el estado de la garantía. Consulte la sección sobre la GARANTIA para mayor información sobre las responsabilidades del propietario para servicio bajo la garantía.
  - Si el distribuidor o la compañía de servicio no pueden resolver el problema, escriba a Maytag Appliances Sales Company, Attn: CAIR® Center, P.O. Box 2370, Cleveland, TN 37320-2370 o llame al **1-800-688-1100** en EE.UU. y en Canadá.
- NOTA:** Cuando llame o escriba acerca de un problema de servicio, por favor incluya la siguiente información:
- a. Su nombre, dirección y número de teléfono;
  - b. número de modelo y número de serie;
  - c. número y dirección de su distribuidor o técnico de servicio;
  - d. una descripción clara del problema;
  - e. comprobante de compra (recibo de compra).
- Las guías del usuario, manuales de servicio e información sobre las piezas pueden solicitarse a Maytag Appliances Sales Company, Maytag Customer Assistance.

### **BAJO NINGUNA CIRCUNSTANCIA MAYTAG SERA RESPONSIBLE DE DAÑOS INCIDENTALES O CONSECUENTES.**

Esta garantía le otorga derechos legales específicos y usted puede tener otros derechos que varían de un estado a otro. Por ejemplo, algunos estados no permiten la exclusión o limitación de daños incidentales o consecuentes, por lo tanto esta exclusión puede que no se aplique en su caso.